

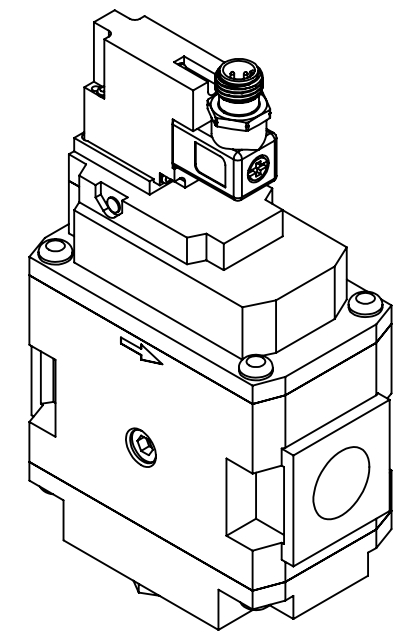
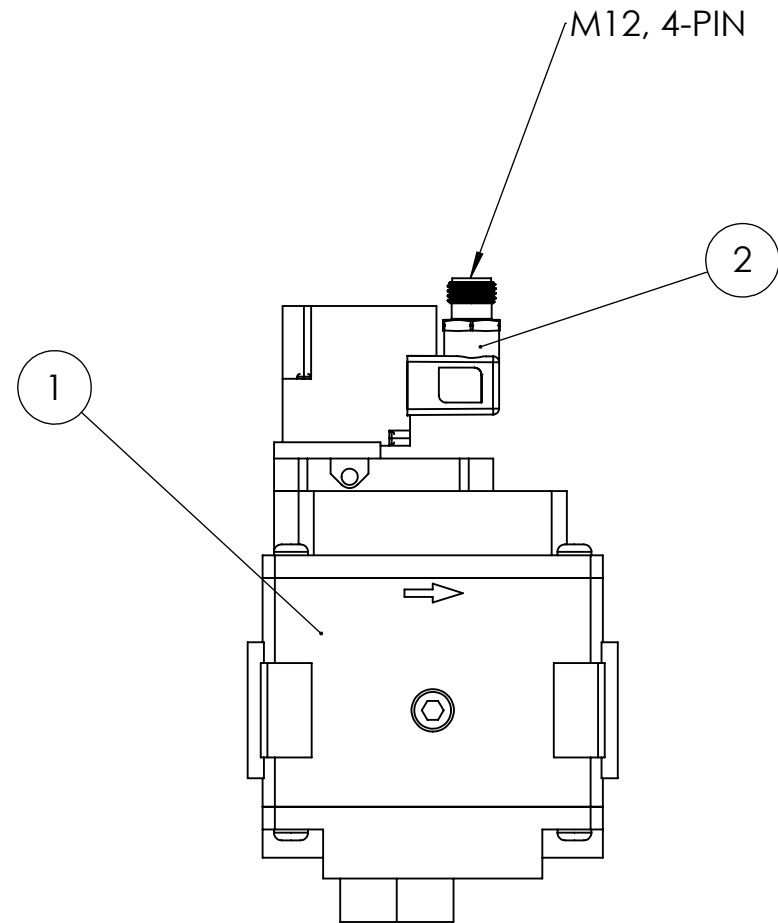
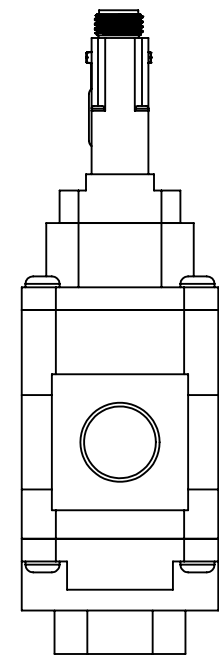
4

3

2

1

REVISIONS				
ZONE	REV.	DESCRIPTION	DATE	APPROVED



NOTE: REMOVE DIN CONNECTOR FROM SOFT START AND ATTACH MENCOM VEG-027-3401. PUT SMC DIN CONNECTOR IN A BAG AND SHIP WITH ASSEMBLY.

ITEM NO.	PART NUMBER	DESCRIPTION	QTY.
1	AV4000-N04-5DZB-Z-A	SMC SOFT START	1
2	VEG-027-3401	MENCOM VALVE CONNECTOR	1

PROPRIETARY AND CONFIDENTIAL
 THE INFORMATION CONTAINED IN THIS DRAWING IS THE SOLE PROPERTY OF AAP AUTOMATION. ANY REPRODUCTION IN PART OR AS A WHOLE WITHOUT THE WRITTEN PERMISSION OF AAP AUTOMATION IS PROHIBITED.

		UNLESS OTHERWISE SPECIFIED: DIMENSIONS ARE IN INCHES TOLERANCES: FRACTIONAL ± ANGULAR: MACH ± BEND ± TWO PLACE DECIMAL ± THREE PLACE DECIMAL ±		NAME	DATE	TITLE:
		DRAWN	MWS	3/13/17		
MATERIAL		FINISH		COMMENTS:		SIZE B DWG. NO. CAP-AV40-A REV 00
NEXT ASSY	USED ON	APPLICATION		DO NOT SCALE DRAWING		

4

3

2

1

B

B

A

A