

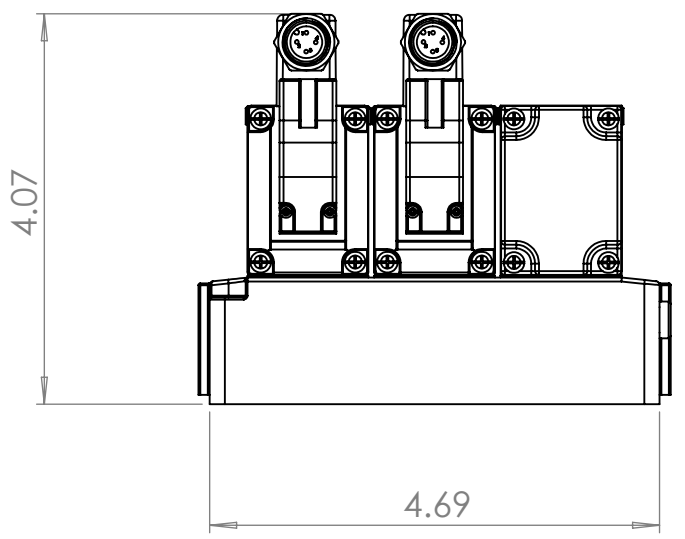
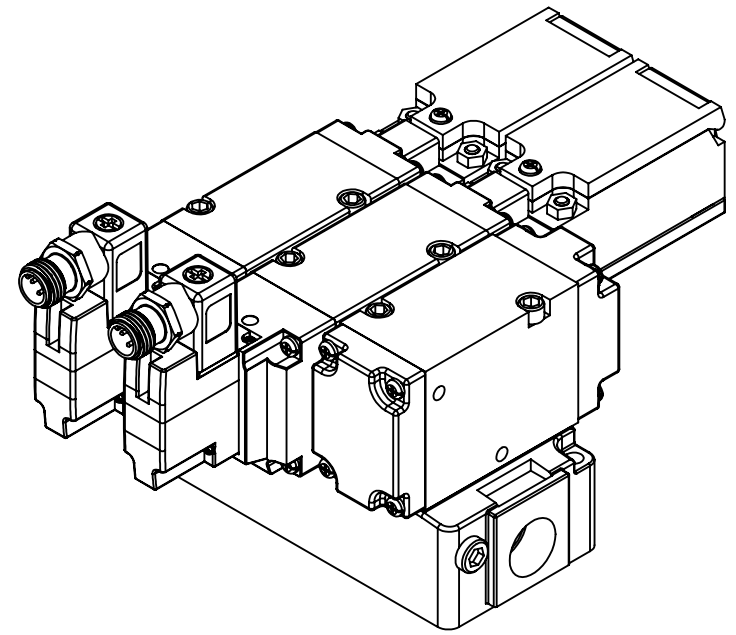
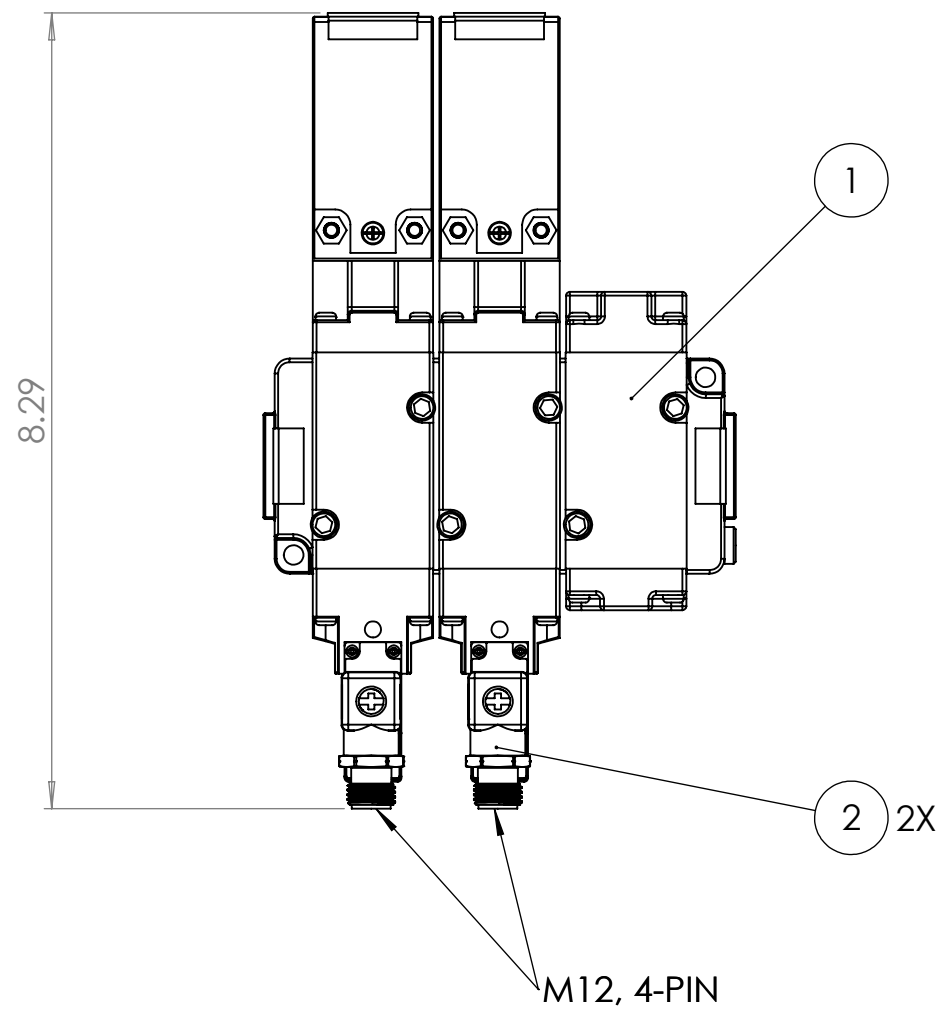
4

3

2

1

REVISIONS				
ZONE	REV.	DESCRIPTION	DATE	APPROVED



NOTE: REMOVE DIN CONNECTOR FROM RELEASE VALVE AND ATTACH MENCOM VEG-027-3401. PUT SMC DIN CONNECTOR IN A BAG AND SHIP WITH ASSEMBLY.

ITEM NO.	PART NUMBER	DESCRIPTION	QTY.
1	VP544-5DZ1-03N-M-X555	SMC RESIDUAL PRESSURE REL. VALVE	1
2	VEG-027-3401	MENCOM VALVE CONNECTOR	2

**PROPRIETARY AND CONFIDENTIAL**  
 THE INFORMATION CONTAINED IN THIS DRAWING IS THE SOLE PROPERTY OF AAP AUTOMATION. ANY REPRODUCTION IN PART OR AS A WHOLE WITHOUT THE WRITTEN PERMISSION OF AAP AUTOMATION IS PROHIBITED.



UNLESS OTHERWISE SPECIFIED:  
 DIMENSIONS ARE IN INCHES  
 TOLERANCES:  
 FRACTIONAL ±  
 ANGULAR: MACH ± BEND ±  
 TWO PLACE DECIMAL ±  
 THREE PLACE DECIMAL ±

NAME	DATE
MWS	3/13/17
ENG APPR.	
Q.A.	
COMMENTS:	

NEXT ASSY	USED ON	FINISH
APPLICATION		DO NOT SCALE DRAWING

TITLE:		
SIZE	DWG. NO.	REV
<b>B</b>	CAP-VP5-M-X555	00
SCALE: 1:5	WEIGHT:	SHEET 1 OF 1

4

3

2

1