

4

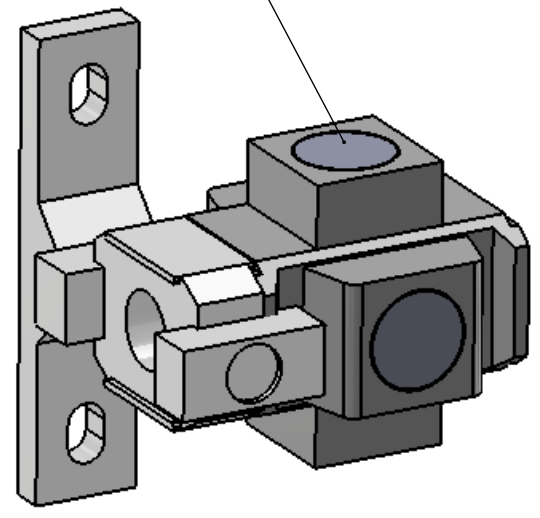
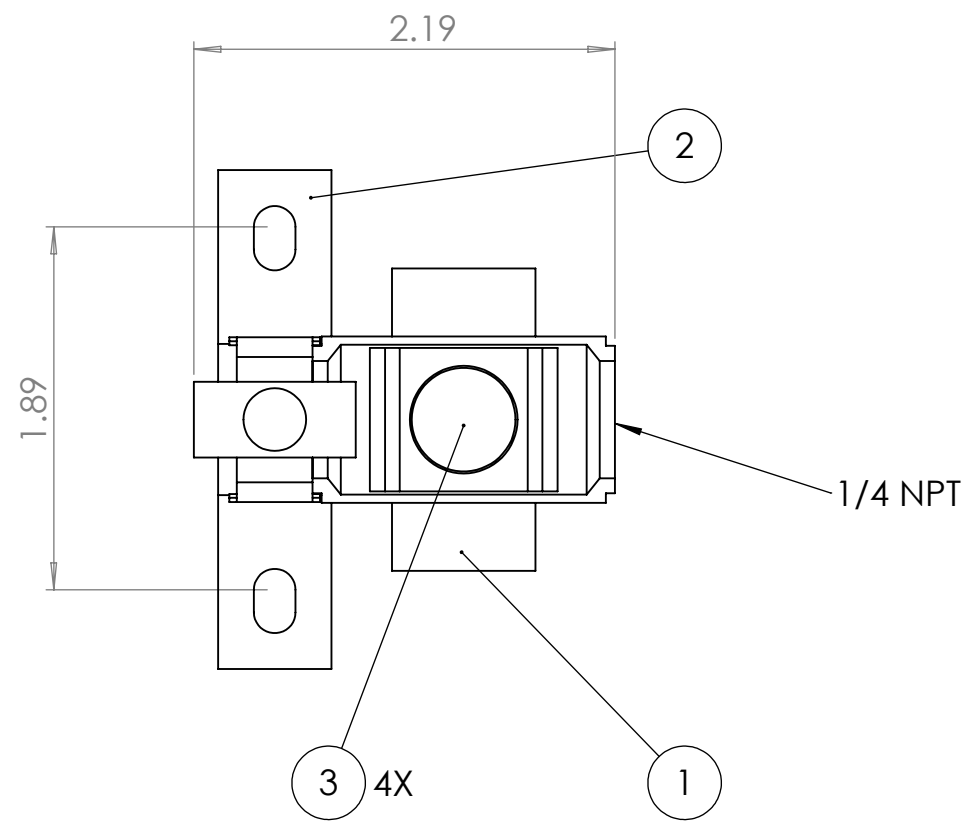
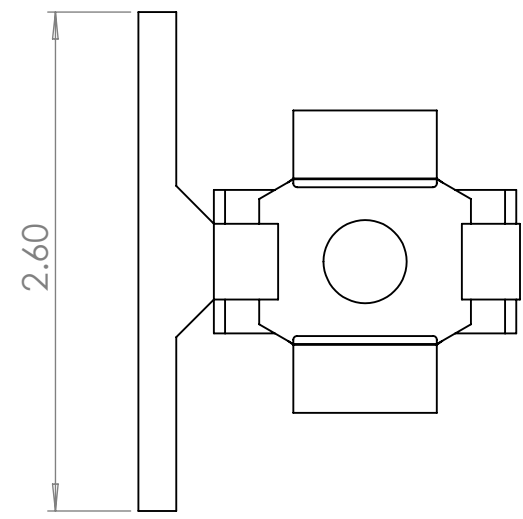
3

2

1

REVISIONS				
ZONE	REV.	DESCRIPTION	DATE	APPROVED

4 EA. AVAIL. AUXILIARY PORTS (1/4 NPT)



ITEM NO.	PART NUMBER	DESCRIPTION	QTY.
1	CAP-24N02	AAP CROSS SPACER	1
2	Y20T-A	MCMMASTER PIPE NIPPLE (NICKEL PLATE)	1
3	9020-02	SMC FLUSH PLUG	4



UNLESS OTHERWISE SPECIFIED:
 DIMENSIONS ARE IN INCHES
 TOLERANCES:
 FRACTIONAL ±
 ANGULAR: MACH ± BEND ±
 TWO PLACE DECIMAL ±
 THREE PLACE DECIMAL ±

NAME	DATE
DRAWN MWS	3/21/17
ENG APPR.	
Q.A.	

TITLE:

 COMMENTS:

PROPRIETARY AND CONFIDENTIAL
 THE INFORMATION CONTAINED IN THIS DRAWING IS THE SOLE PROPERTY OF AAP AUTOMATION. ANY REPRODUCTION IN PART OR AS A WHOLE WITHOUT THE WRITTEN PERMISSION OF AAP AUTOMATION IS PROHIBITED.

MATERIAL	FINISH
NEXT ASSY	USED ON
APPLICATION	DO NOT SCALE DRAWING

SIZE	DWG. NO.	REV
B	CAP-Y24T	00
SCALE: 1:5	WEIGHT:	SHEET 1 OF 1

4

3

2

1

B

B

A

A