

4

3

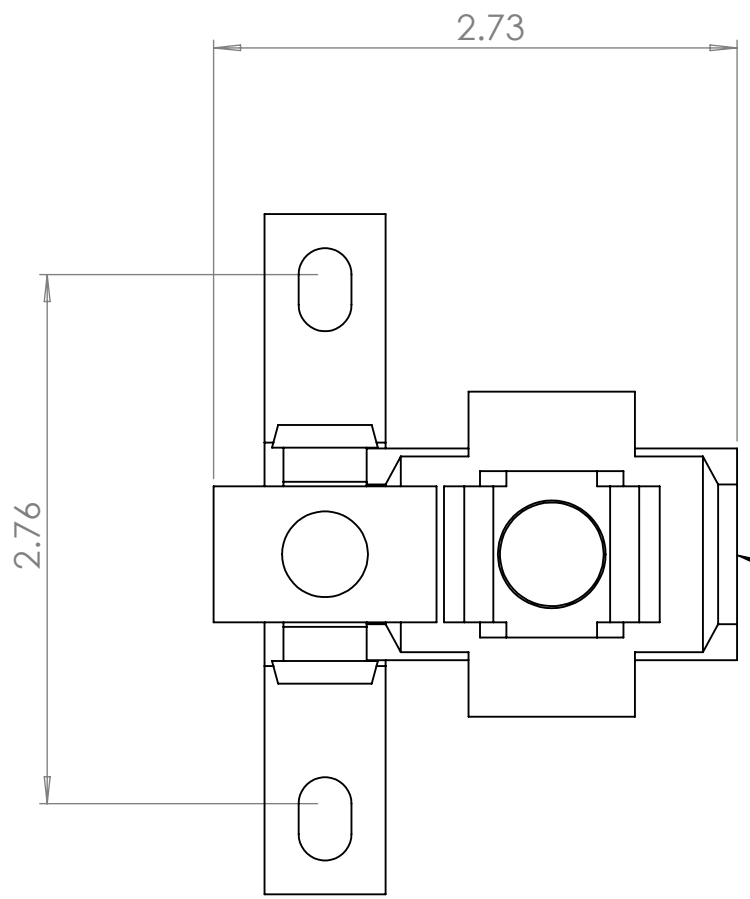
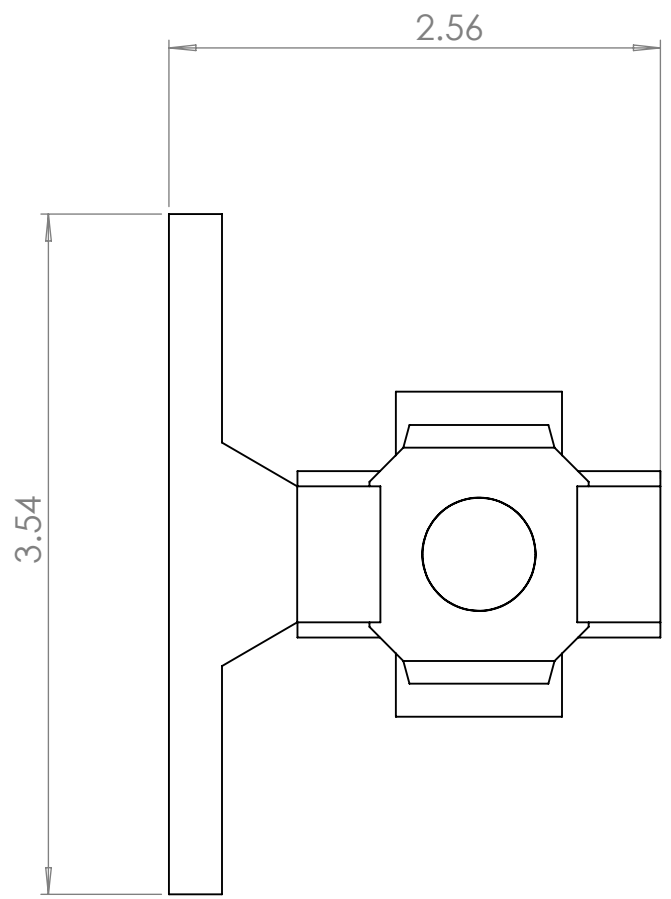
2

1

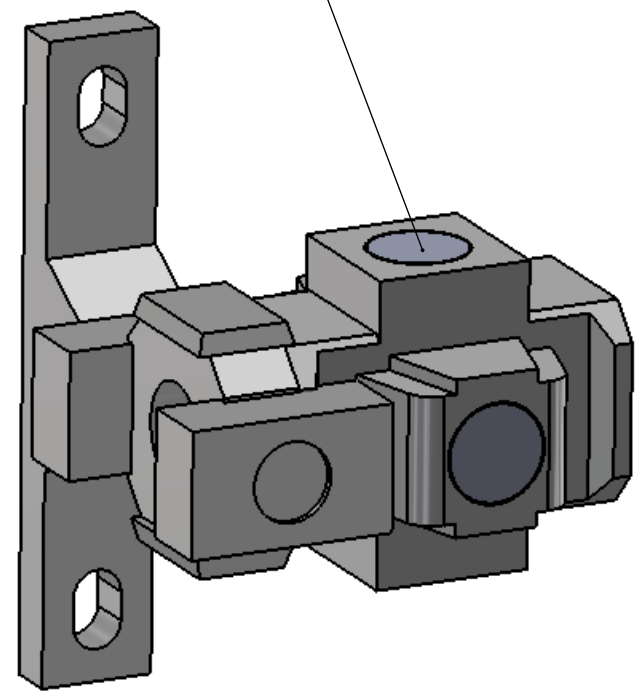
REVISIONS				
ZONE	REV.	DESCRIPTION	DATE	APPROVED

B

B



4 EA. AVAIL. AUXILIARY PORTS (1/4 NPT)



3/8 NPT

A

A

ITEM NO.	PART NUMBER	DESCRIPTION	QTY.
1	CAP-34N02	AAP CROSS SPACER	1
2	Y30T-A	SMC SPACER W/BRACKET	1
3	9020-02	SMC FLUSH PLUG	4



UNLESS OTHERWISE SPECIFIED:  
 DIMENSIONS ARE IN INCHES  
 TOLERANCES:  
 FRACTIONAL ±  
 ANGULAR: MACH ± BEND ±  
 TWO PLACE DECIMAL ±  
 THREE PLACE DECIMAL ±

NAME	MWS	DATE	3/21/17
DRAWN			
ENG APPR.			
Q.A.			
COMMENTS:			

TITLE:

**PROPRIETARY AND CONFIDENTIAL**  
 THE INFORMATION CONTAINED IN THIS DRAWING IS THE SOLE PROPERTY OF AAP AUTOMATION. ANY REPRODUCTION IN PART OR AS A WHOLE WITHOUT THE WRITTEN PERMISSION OF AAP AUTOMATION IS PROHIBITED.

MATERIAL	FINISH
NEXT ASSY	USED ON
APPLICATION	DO NOT SCALE DRAWING

SIZE	DWG. NO.	REV
<b>B</b>	CAP-Y34T	00
SCALE: 1:5	WEIGHT:	SHEET 1 OF 1

4

3

2

1