

4

3

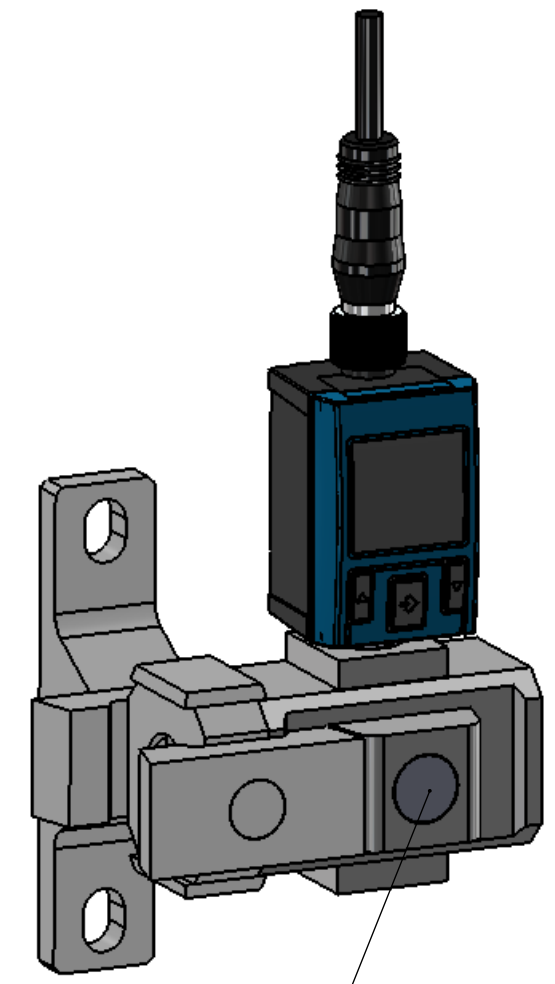
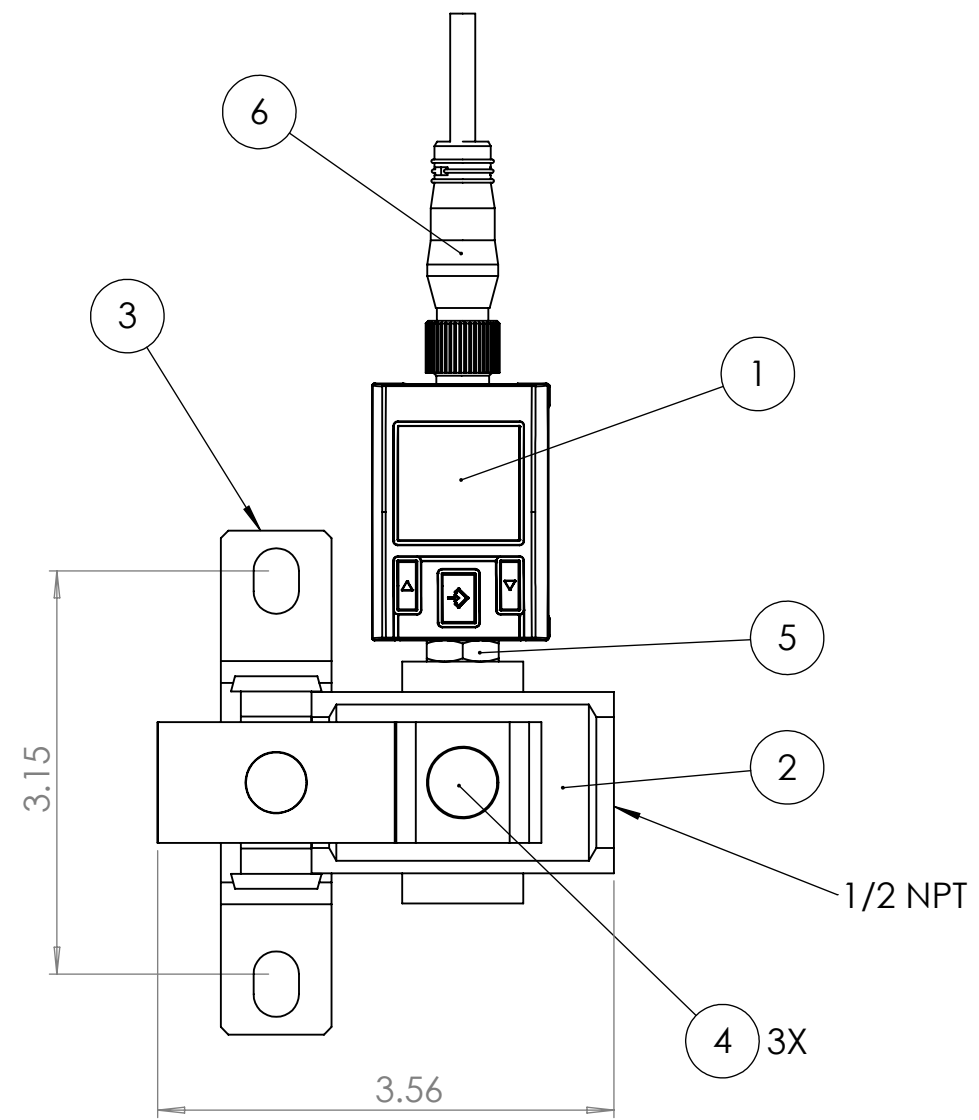
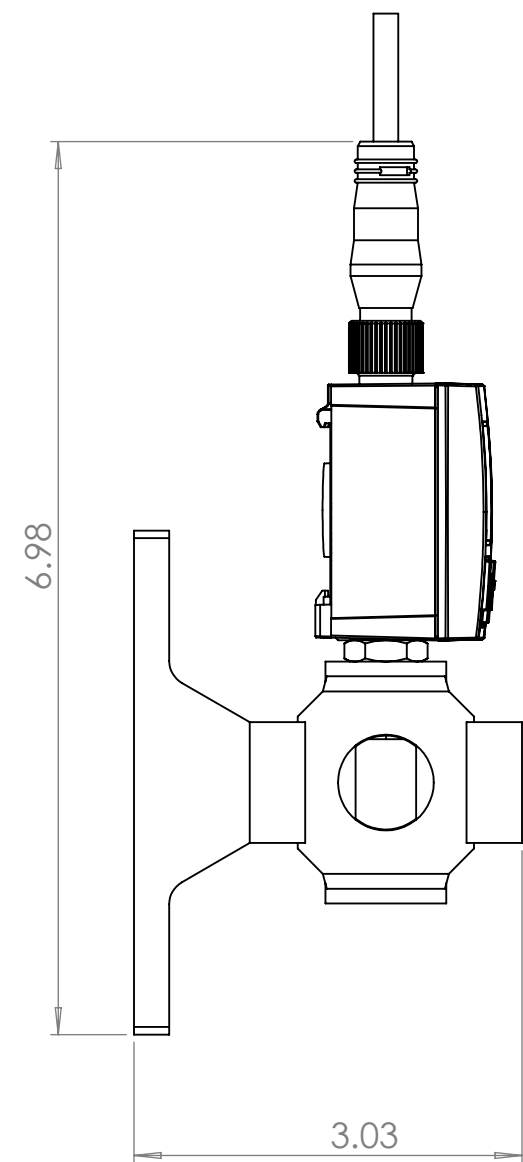
2

1

REVISIONS				
ZONE	REV.	DESCRIPTION	DATE	APPROVED

B

B



3 EA. AVAIL. AUXILIARY PORTS (1/4 NPT)

ITEM NO.	PART NUMBER	DESCRIPTION	QTY.
1	1083731	SICK PRESSURE SWITCH	1
2	CAP-44N02	AAP CROSS SPACER	1
3	Y40T-A	SMC SPACER W/BACKET	1
4	9020-02	SMC FLUSH PLUG	3
5	9151K87	MCMASPER PIPE NIPPLE (NICKEL PLATE)	1
6	MDC-4FP-5M-B	MENCOM 5m CABLE (BLACK)	1

A

A

- NOTES FOR ASSEMBLY INSTRUCTIONS
- PUT ALL PARTS/BAGS INTO LARGER BAG WITH THE ASSY NUMBER LABELED
 - LEAVE PRESSURE SWITCH 1083731 IN BOX
 - PUT CROSS SPACER CAP-44N02 IN A BAG LABELED CROSS BAG WITH 2 PLUGS INCLUDED
 - LEAVE SPACER Y40T-A IN ORIGINAL BAG
 - PUT 2 EA. ADDITIONAL PLUGS 9020-02 INTO THE CROSS BAG
 - PUT FITTING 9151K87 INTO BAG AND LABEL (9631 - FITTING FOR PRESSURE SWITCH) THEN PUT IN CROSS BAG
 - PUT CABLE MDC-4FP-5M-B INTO MAIN BAG

PROPRIETARY AND CONFIDENTIAL
 THE INFORMATION CONTAINED IN THIS DRAWING IS THE SOLE PROPERTY OF AAP AUTOMATION. ANY REPRODUCTION IN PART OR AS A WHOLE WITHOUT THE WRITTEN PERMISSION OF AAP AUTOMATION IS PROHIBITED.



UNLESS OTHERWISE SPECIFIED:
 DIMENSIONS ARE IN INCHES
 TOLERANCES:
 FRACTIONAL ±
 ANGULAR: MACH ± BEND ±
 TWO PLACE DECIMAL ±
 THREE PLACE DECIMAL ±

NAME	MWS	DATE	3/21/17
DRAWN			
ENG APPR.			
Q.A.			
COMMENTS:			

TITLE:			
SIZE	DWG. NO.	REV	
B	CAP-Y44T-1083731	00	

NEXT ASSY	USED ON	FINISH
APPLICATION		DO NOT SCALE DRAWING

SCALE: 1:5 WEIGHT: SHEET 1 OF 1

4

3

2

1