

4

3

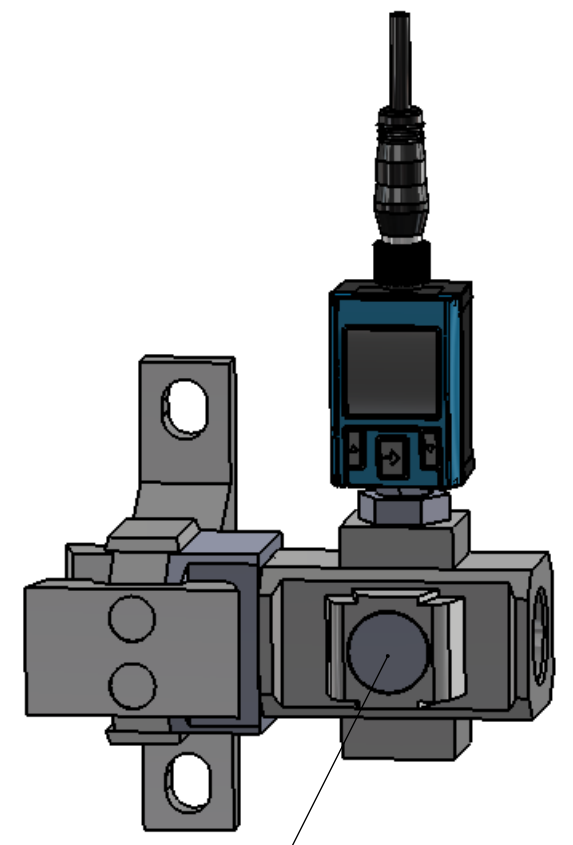
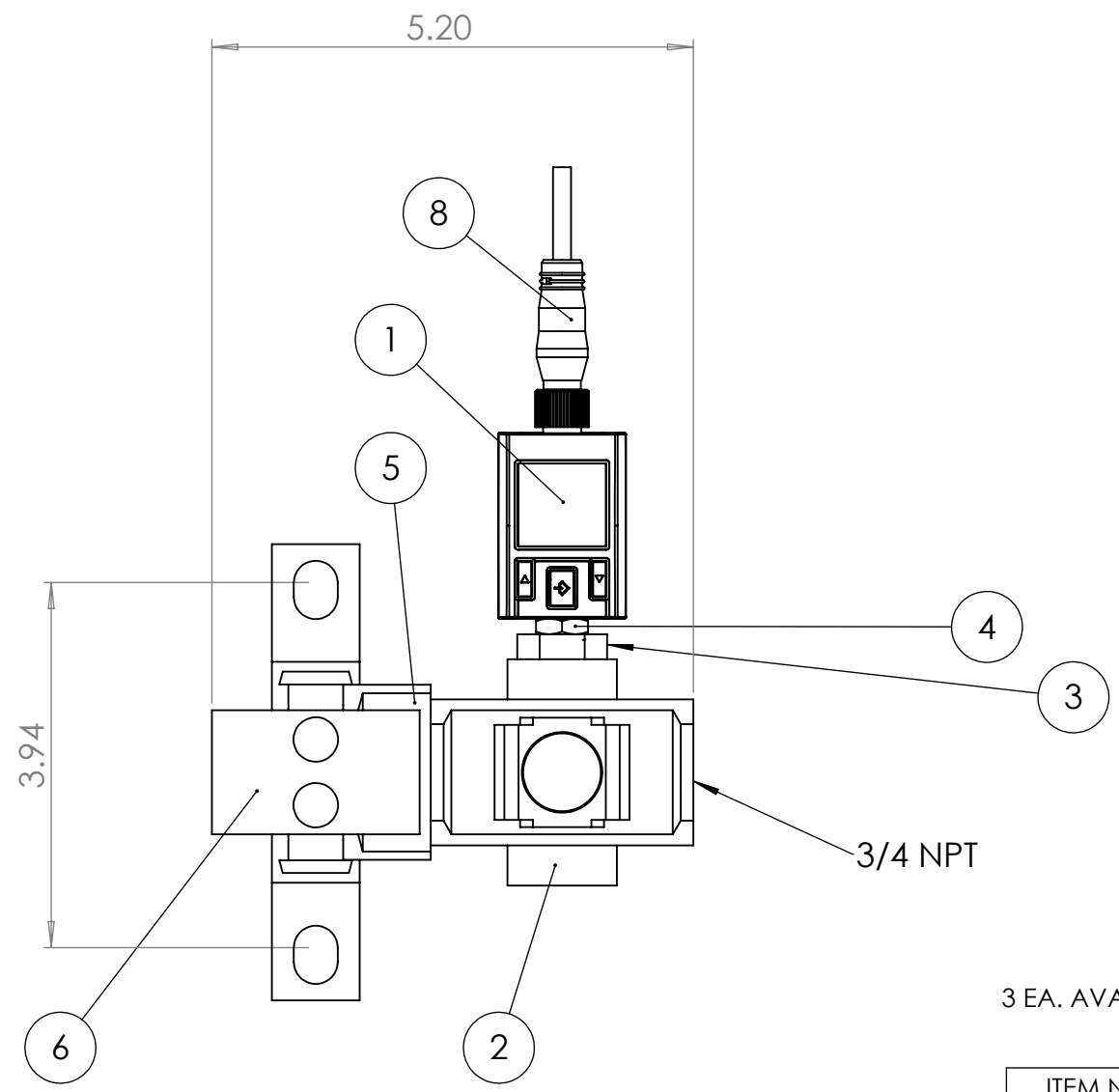
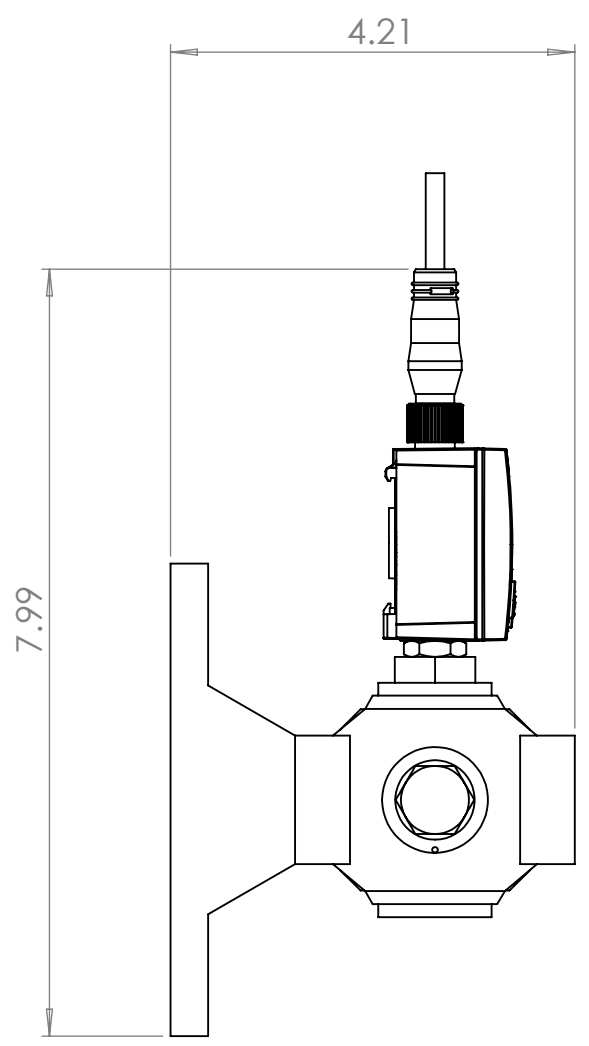
2

1

REVISIONS				
ZONE	REV.	DESCRIPTION	DATE	APPROVED

B

B



3 EA. AVAIL. AUXILIARY PORTS (1/4 NPT)

ITEM NO.	PART NUMBER	DESCRIPTION	QTY.
1	1083731	SICK PRESSURE SWITCH	1
2	Y54-N04-A-X512	SMC CROSS SPACER	1
3	8CZY-ENP	CLIPPARD PIPE REDUCER	1
4	9151K87	MCMaster PIPE NIPPLE (NICKEL PLATE)	1
5	E60-N06-X129US	SMC ADAPTER	1
6	Y60T-A	SMC SPACER W/BACKET	1
7	9020-04	SMC FLUSH PLUG	3
8	MDC-4FP-5M-B	MENCOM 5m CABLE (BLACK)	1

A

A

**PROPRIETARY AND CONFIDENTIAL**  
 THE INFORMATION CONTAINED IN THIS DRAWING IS THE SOLE PROPERTY OF AAP AUTOMATION. ANY REPRODUCTION IN PART OR AS A WHOLE WITHOUT THE WRITTEN PERMISSION OF AAP AUTOMATION IS PROHIBITED.



UNLESS OTHERWISE SPECIFIED:  
 DIMENSIONS ARE IN INCHES  
 TOLERANCES:  
 FRACTIONAL ±  
 ANGULAR: MACH ± BEND ±  
 TWO PLACE DECIMAL ±  
 THREE PLACE DECIMAL ±

NEXT ASSY	USED ON	FINISH
APPLICATION		DO NOT SCALE DRAWING

NAME	DATE	TITLE:
MWS	3/21/17	
ENG APPR.		
Q.A.		
COMMENTS:		

SIZE	DWG. NO.	REV
<b>B</b>	CAP-Y54T-1083731	00
SCALE: 1:5	WEIGHT:	SHEET 1 OF 1

4

3

2

1