

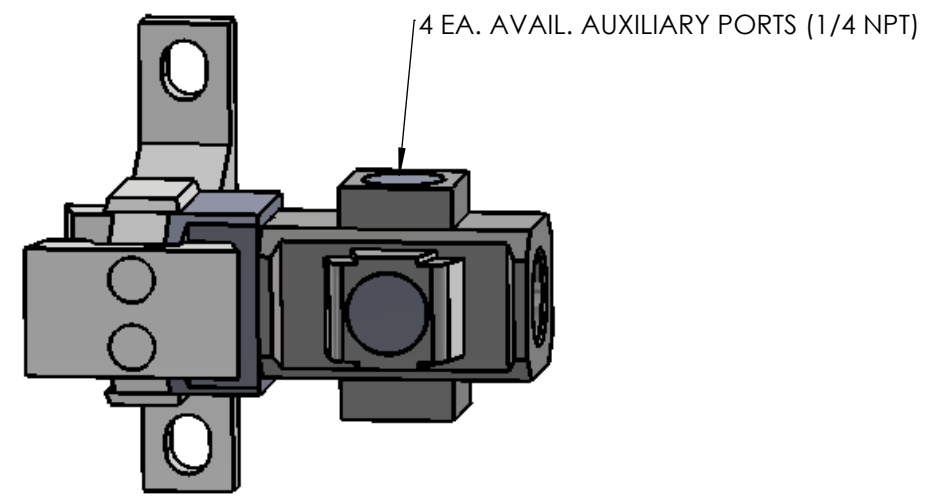
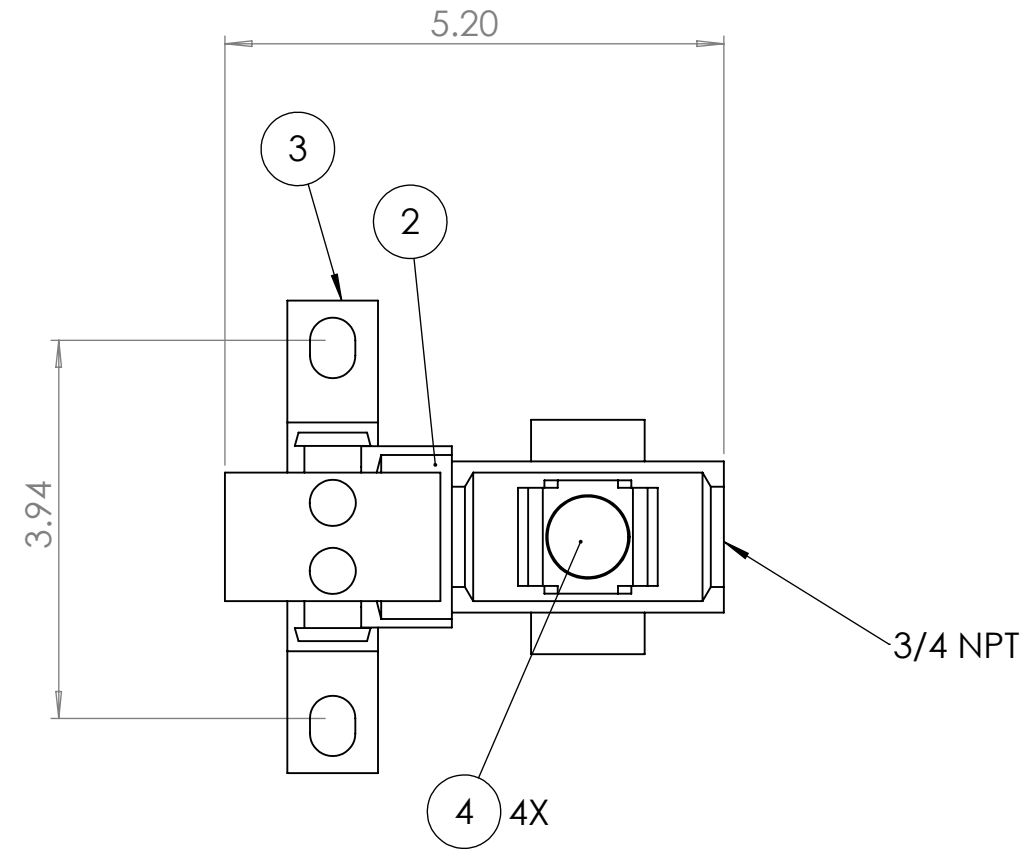
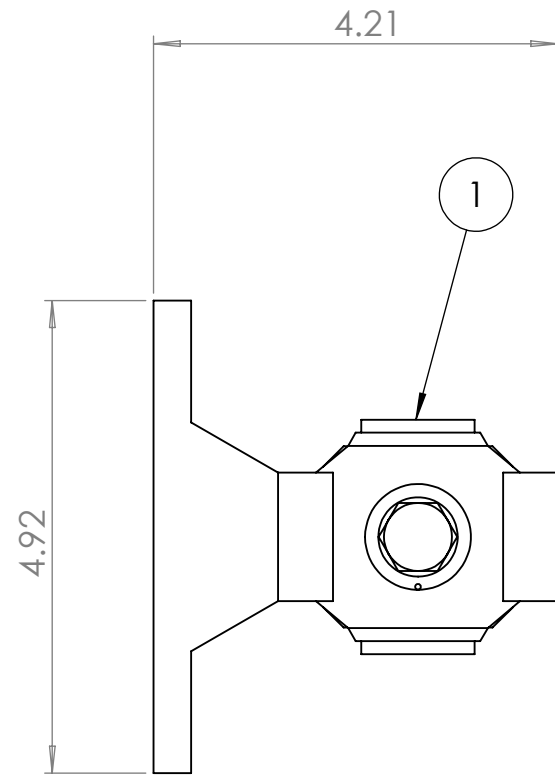
4

3

2

1

REVISIONS				
ZONE	REV.	DESCRIPTION	DATE	APPROVED



ITEM NO.	PART NUMBER	DESCRIPTION	QTY.
1	Y54-N04-A-X512	SMC CROSS SPACER	1
2	E60-N06-X129US	SMC ADAPTER	1
3	Y60T-A	SMC SPACER W/BRACKET	1
4	9020-04	SMC FLUSH PLUG	4



UNLESS OTHERWISE SPECIFIED:
 DIMENSIONS ARE IN INCHES
 TOLERANCES:
 FRACTIONAL ±
 ANGULAR: MACH ± BEND ±
 TWO PLACE DECIMAL ±
 THREE PLACE DECIMAL ±

NAME	DATE
DRAWN MWS	3/21/17
ENG APPR.	
Q.A.	

TITLE:
 COMMENTS:

PROPRIETARY AND CONFIDENTIAL
 THE INFORMATION CONTAINED IN THIS DRAWING IS THE SOLE PROPERTY OF AAP AUTOMATION. ANY REPRODUCTION IN PART OR AS A WHOLE WITHOUT THE WRITTEN PERMISSION OF AAP AUTOMATION IS PROHIBITED.

MATERIAL	FINISH

SIZE	DWG. NO.	REV
B	CAP-Y54T	00

SCALE: 1:5 WEIGHT: SHEET 1 OF 1

4

3

2

1

B

B

A

A