

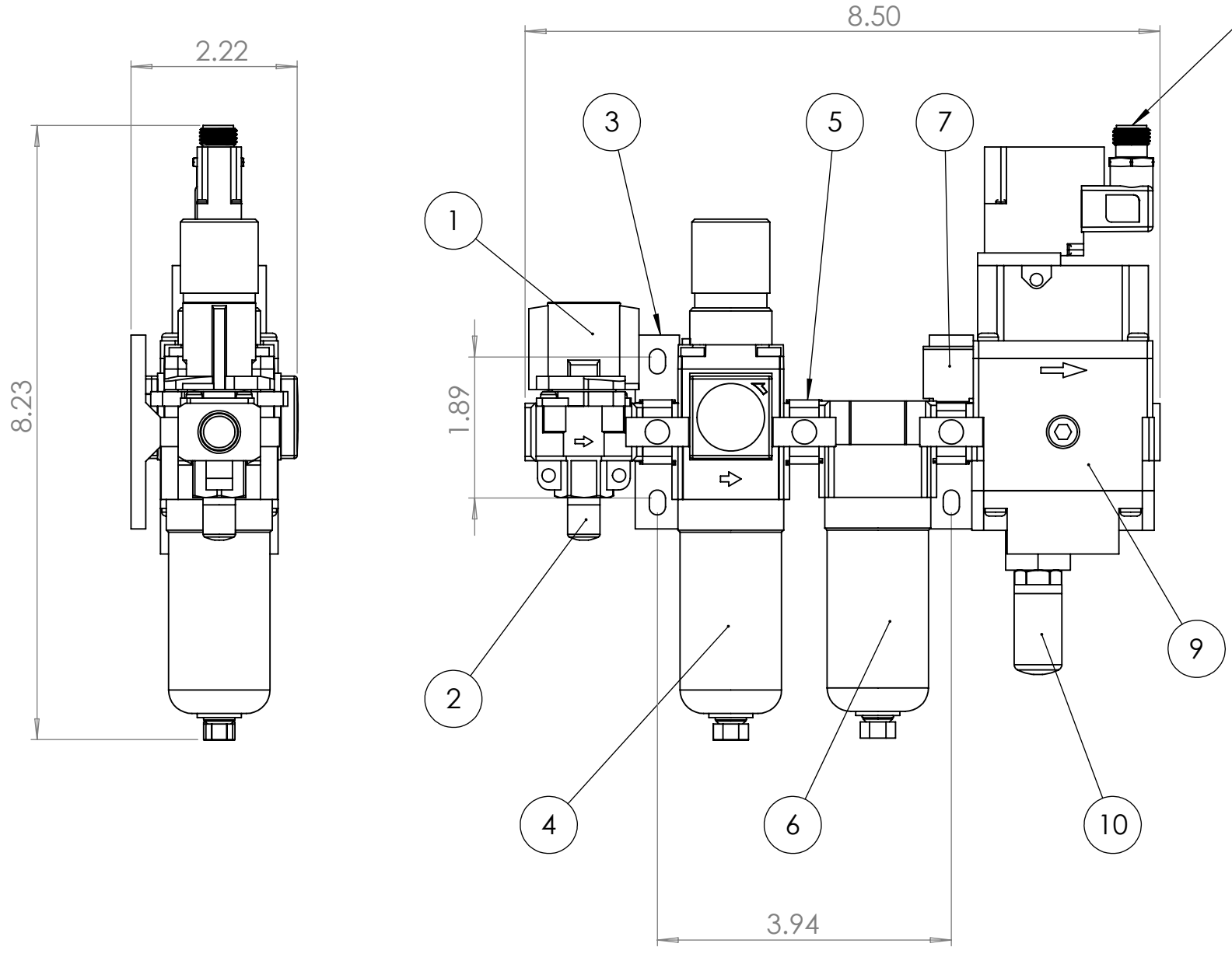
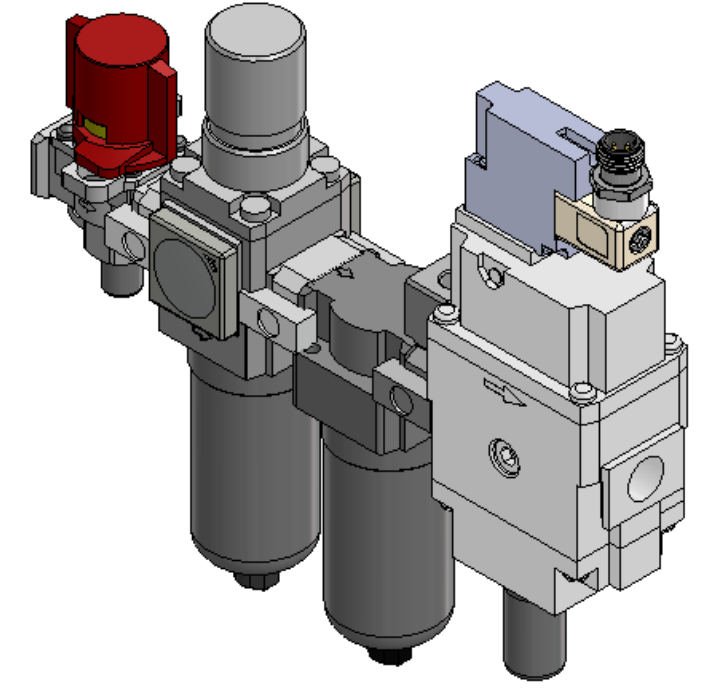
4

3

2

1

REVISIONS				
ZONE	REV.	DESCRIPTION	DATE	APPROVED



ITEM NO.	PART NUMBER	DESCRIPTION	QTY.
1	VHS20-N02B-Z	SMC LOCK OUT DUMP VALVE	1
2	AN10-N01	SMC MUFFLER 1/8" NPT	1
3	Y20T-A	SMC Clamp W/ Bracket	1
4	AW20-N02CE-Z-B	SMC FILTER/REGULATOR WITH GAUGE	1
5	Y20-A	SMC Clamp	1
6	AFM20-N02C-Z-A	SMC OIL REMOVAL FILTER	1
7	CAP-Y21T-N01-A	AAP CLAMP 1/8 NPT W/BACKET	1
8	9020-01	SMC PLUG	1
9	CAP-AV20-A	AAP SOFT START	1
10	AN20-N02	SMC MUFFLER 1/4"	1

Flow: 7.1 SCFM at 100 psi Inlet

REPLACEMENT PARTS	
AD27-CZ-A	REPLACEMENT BOWL FOR FILTRATION
AF20P-060S	REPLACEMENT FILTER ELEMENT
AFM20P-060S	REPLACEMENT ELEMENT OIL REMOVAL
AV20-5DOZBA	PILOT VALVE FOR SOFT START

**PROPRIETARY AND CONFIDENTIAL**  
 THE INFORMATION CONTAINED IN THIS DRAWING IS THE SOLE PROPERTY OF AAP AUTOMATION. ANY REPRODUCTION IN PART OR AS A WHOLE WITHOUT THE WRITTEN PERMISSION OF AAP AUTOMATION IS PROHIBITED.



UNLESS OTHERWISE SPECIFIED:  
 DIMENSIONS ARE IN INCHES  
 TOLERANCES:  
 FRACTIONAL ±  
 ANGULAR: MACH ± BEND ±  
 TWO PLACE DECIMAL ±  
 THREE PLACE DECIMAL ±

NEXT ASSY	USED ON	FINISH
APPLICATION		DO NOT SCALE DRAWING

NAME	DATE
MWS	3/24/17
DRAWN	
ENG APPR.	
Q.A.	
COMMENTS:	

TITLE: <b>1/4" Air Prep Unit w/Lockout</b>		
SIZE <b>B</b>	DWG. NO. CAP20C1-N02LEG	REV <b>00</b>
SCALE: 1:2	WEIGHT:	SHEET 1 OF 1

4

3

2

1