

4

3

2

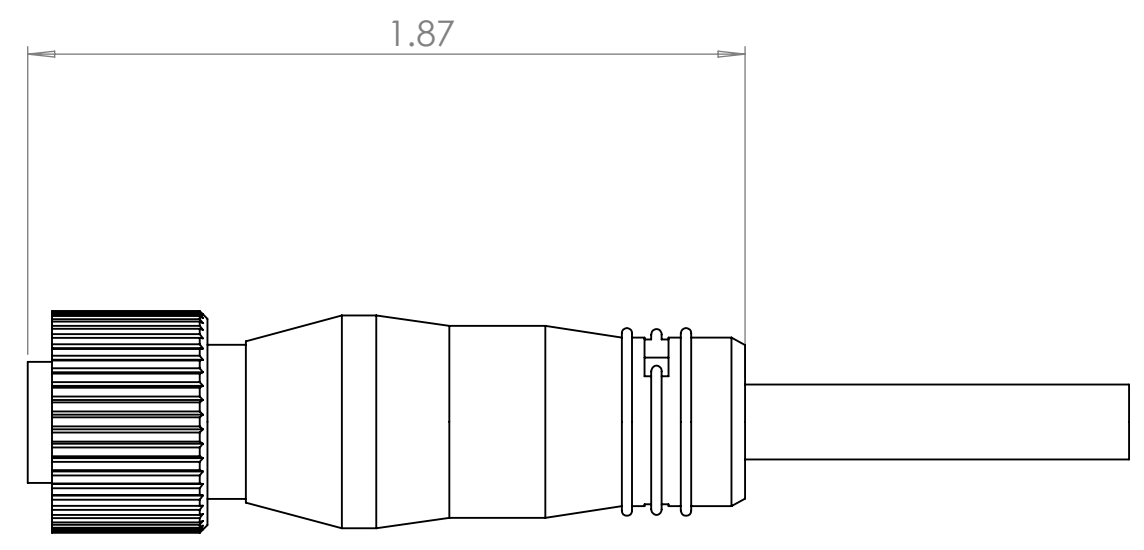
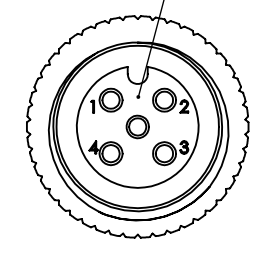
1

REVISIONS				
ZONE	REV.	DESCRIPTION	DATE	APPROVED

B

B

M12, 4-PIN



A

A

ITEM NO.	PART NUMBER	DESCRIPTION	QTY.
1	MDC-4FP-5M-B	MENCOM 5m CABLE (BLACK)	1



UNLESS OTHERWISE SPECIFIED:
 DIMENSIONS ARE IN INCHES
 TOLERANCES:
 FRACTIONAL ±
 ANGULAR: MACH ± BEND ±
 TWO PLACE DECIMAL ±
 THREE PLACE DECIMAL ±

NAME	DATE	TITLE:
DRAWN MWS	4/13/17	
ENG APPR.		
Q.A.		
COMMENTS:		

PROPRIETARY AND CONFIDENTIAL
 THE INFORMATION CONTAINED IN THIS DRAWING IS THE SOLE PROPERTY OF AAP AUTOMATION. ANY REPRODUCTION IN PART OR AS A WHOLE WITHOUT THE WRITTEN PERMISSION OF AAP AUTOMATION IS PROHIBITED.

MATERIAL	FINISH
NEXT ASSY	USED ON
APPLICATION	

SIZE	DWG. NO.	REV
B	CAP-5M-B	00
SCALE: 1:2	WEIGHT:	SHEET 1 OF 1

4

3

2

1