

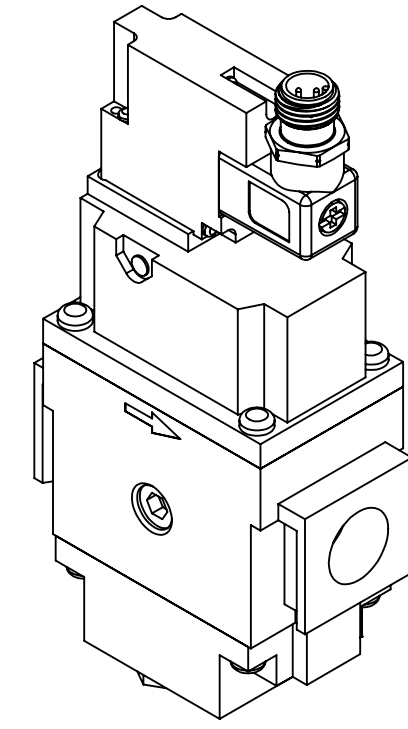
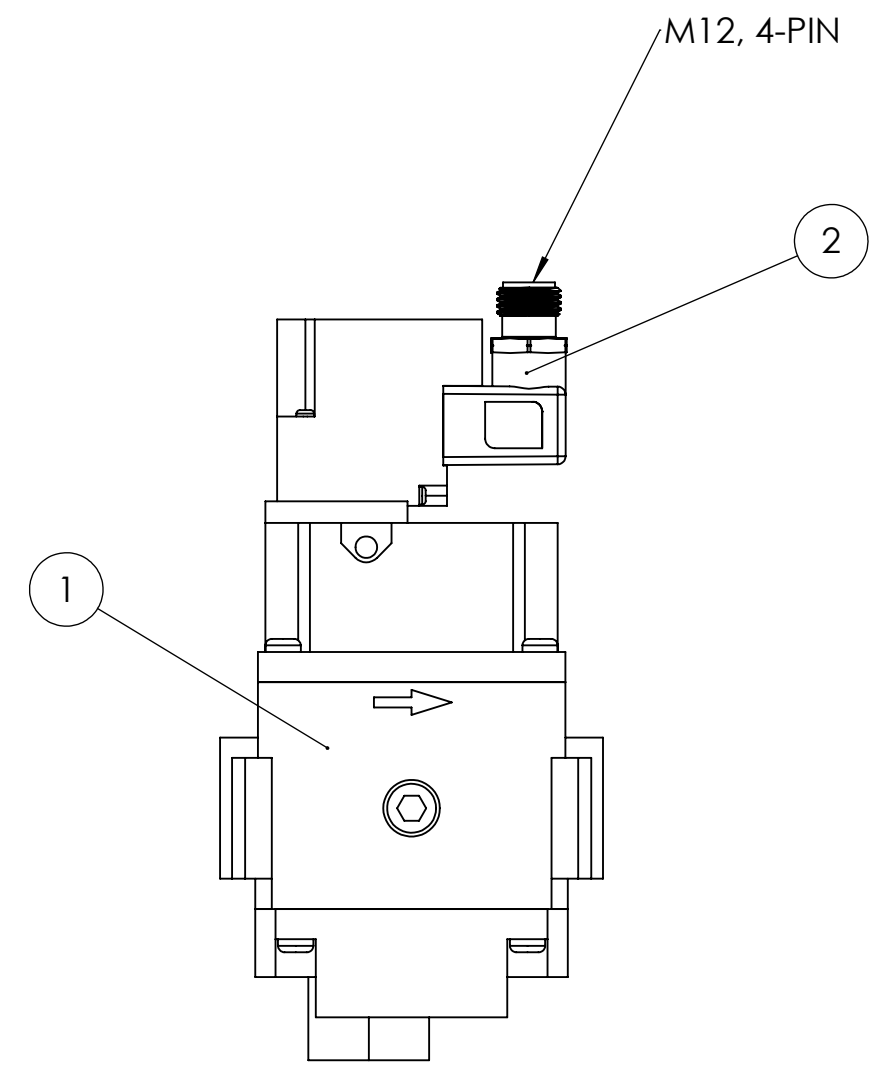
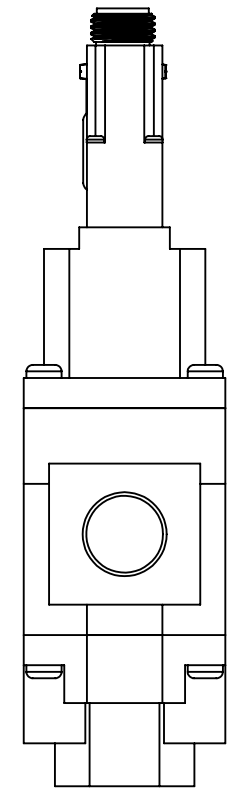
4

3

2

1

REVISIONS				
ZONE	REV.	DESCRIPTION	DATE	APPROVED



NOTE: REMOVE DIN CONNECTOR FROM SOFT START AND ATTACH MENCOM VEG-027-3401. PUT SMC DIN CONNECTOR IN A BAG AND SHIP WITH ASSEMBLY.

ITEM NO.	PART NUMBER	DESCRIPTION	QTY.
1	AV3000-N03-5DZB-Z-A	SMC SOFT START	1
2	VEG-027-3401	MENCOM VALVE CONNECTOR	1

PROPRIETARY AND CONFIDENTIAL
 THE INFORMATION CONTAINED IN THIS DRAWING IS THE SOLE PROPERTY OF AAP AUTOMATION. ANY REPRODUCTION IN PART OR AS A WHOLE WITHOUT THE WRITTEN PERMISSION OF AAP AUTOMATION IS PROHIBITED.



UNLESS OTHERWISE SPECIFIED:
 DIMENSIONS ARE IN INCHES
 TOLERANCES:
 FRACTIONAL ±
 ANGULAR: MACH ± BEND ±
 TWO PLACE DECIMAL ±
 THREE PLACE DECIMAL ±

NEXT ASSY	USED ON	FINISH
APPLICATION		DO NOT SCALE DRAWING

NAME	DATE	TITLE:
MWS	3/16/17	
ENG APPR.		
Q.A.		
COMMENTS:		

SIZE	DWG. NO.	REV
B	CAP-AV30-A	00
SCALE: 1:5	WEIGHT:	SHEET 1 OF 1

4

3

2

1

B

B

A

A