

4

3

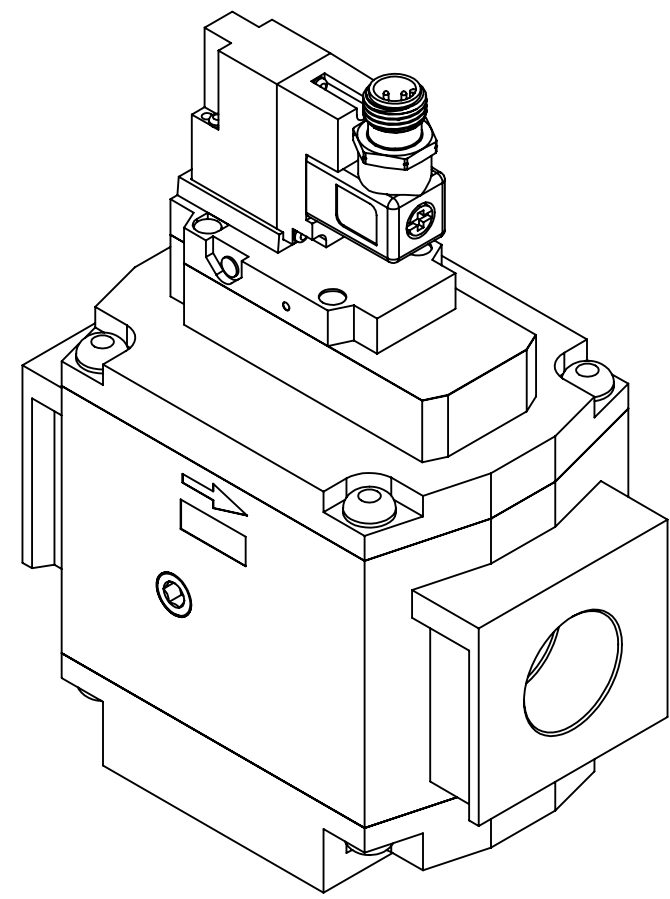
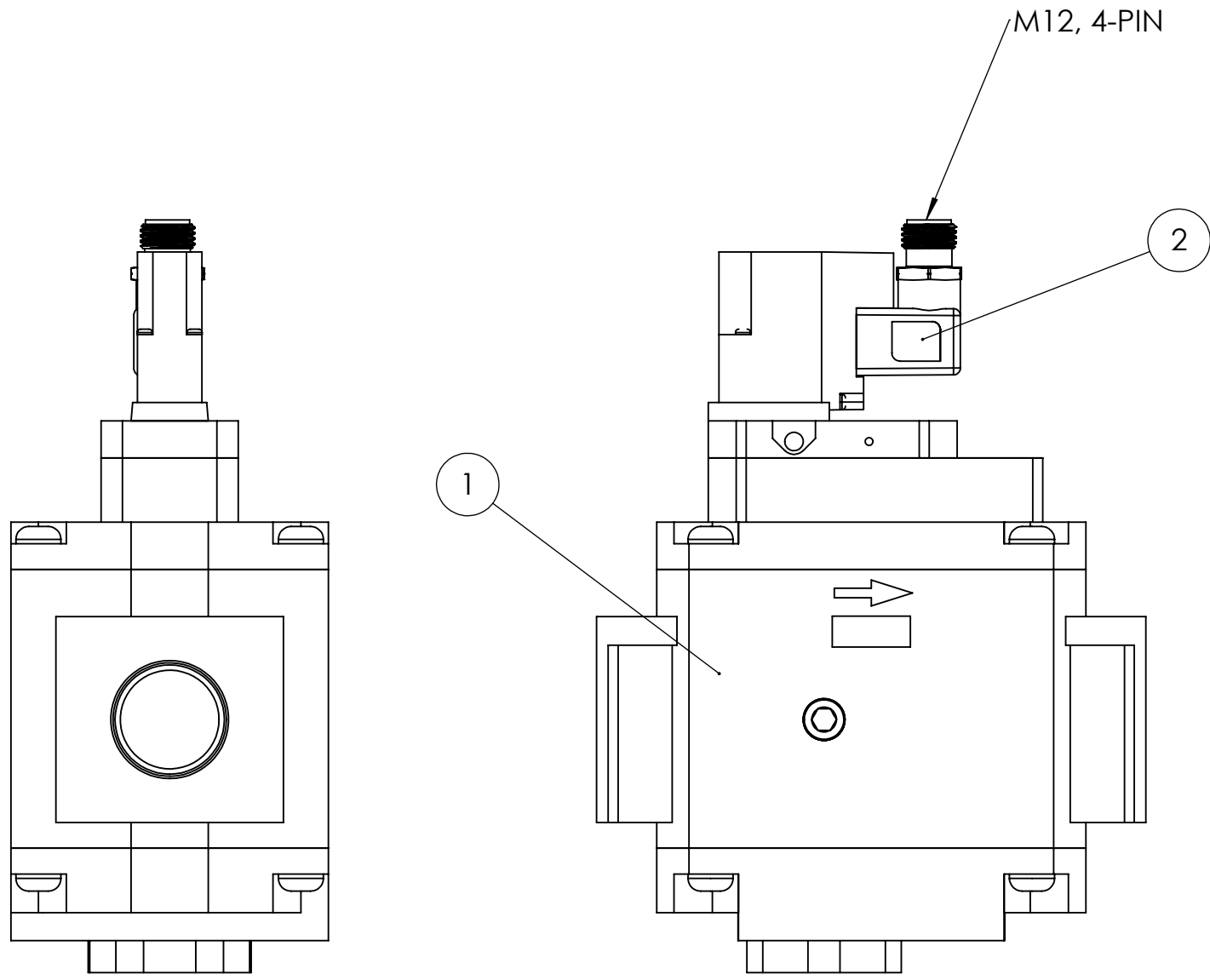
2

1

REVISIONS				
ZONE	REV.	DESCRIPTION	DATE	APPROVED

B

B



NOTE: REMOVE DIN CONNECTOR FROM SOFT START AND ATTACH MENCOM VEG-027-3401. PUT SMC DIN CONNECTOR IN A BAG AND SHIP WITH ASSEMBLY.

ITEM NO.	PART NUMBER	DESCRIPTION	QTY.
1	AV5000-N06-5DZB-Z-A	SMC SOFT START	1
2	VEG-027-3401	MENCOM VALVE CONNECTOR	1

A

A



**PROPRIETARY AND CONFIDENTIAL**  
 THE INFORMATION CONTAINED IN THIS DRAWING IS THE SOLE PROPERTY OF AAP AUTOMATION. ANY REPRODUCTION IN PART OR AS A WHOLE WITHOUT THE WRITTEN PERMISSION OF AAP AUTOMATION IS PROHIBITED.

UNLESS OTHERWISE SPECIFIED:  
 DIMENSIONS ARE IN INCHES  
 TOLERANCES:  
 FRACTIONAL ±  
 ANGULAR: MACH ± BEND ±  
 TWO PLACE DECIMAL ±  
 THREE PLACE DECIMAL ±

NAME	MWS	DATE	3/16/17
DRAWN			
ENG APPR.			
Q.A.			
COMMENTS:			

TITLE:			
SIZE	DWG. NO.	REV	
<b>B</b>	CAP-AV50-A	00	
SCALE: 1:5	WEIGHT:	SHEET 1 OF 1	

NEXT ASSY	USED ON	FINISH
APPLICATION		DO NOT SCALE DRAWING

4

3

2

1