

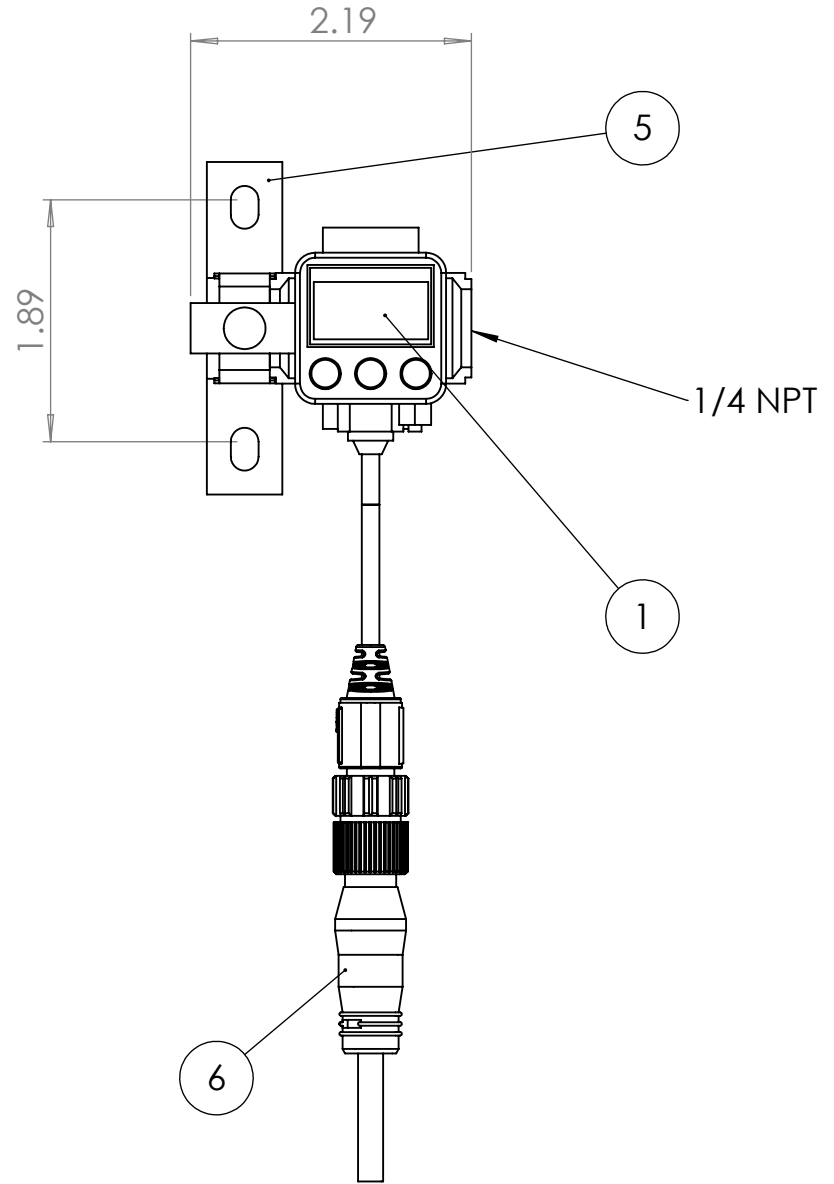
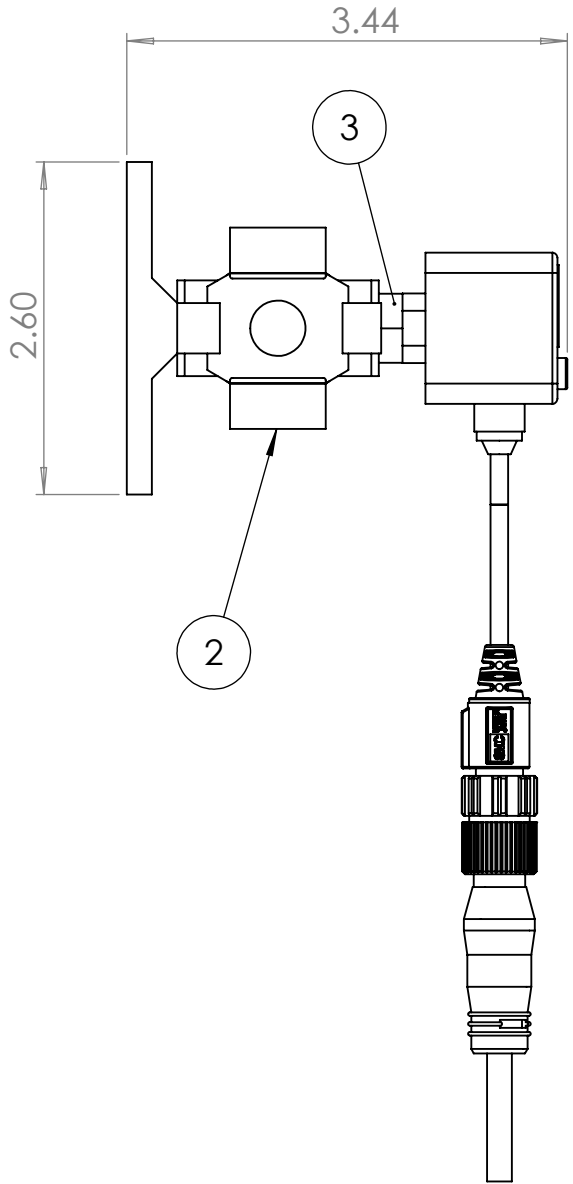
4

3

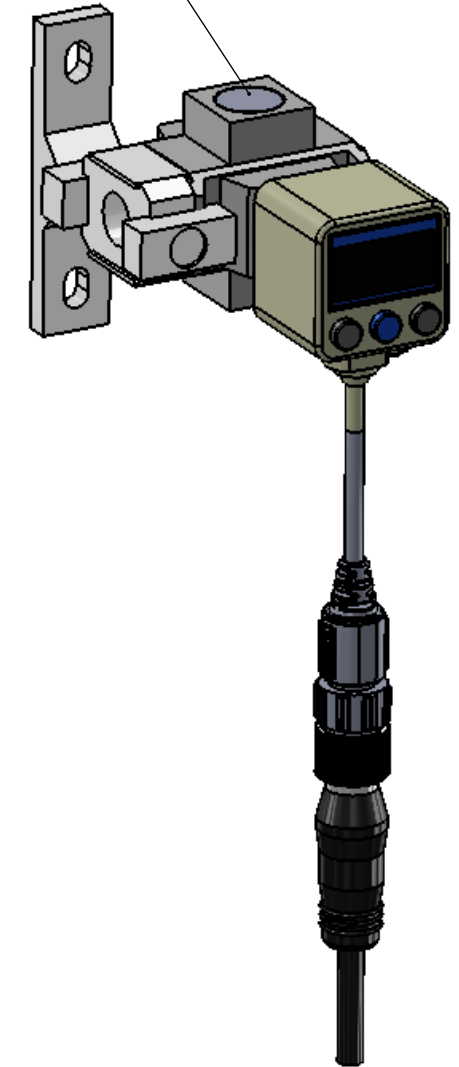
2

1

| REVISIONS | | | | |
|-----------|------|-------------|------|----------|
| ZONE | REV. | DESCRIPTION | DATE | APPROVED |



3 EA. AVAIL. AUXILIARY PORTS (1/4 NPT)



| ITEM NO. | PART NUMBER | DESCRIPTION | QTY. |
|----------|---------------------|--------------------------|------|
| 1 | ISE40A-N01-Y-P-X531 | SMC PRESSURE SWITCH | 1 |
| 2 | CAP-24N02 | AAP CROSS SPACER | 1 |
| 3 | 4CQN-ENP | CLIPPARD REDUCER FITTING | 1 |
| 4 | 9020-02 | SMC FLUSH PLUG | 3 |
| 5 | Y20T-A | SMC SPACER W/BRACKET | 1 |
| 6 | MDC-4FP-5M-B | MENCOM 5m CABLE (BLACK) | 1 |



UNLESS OTHERWISE SPECIFIED:
 DIMENSIONS ARE IN INCHES
 TOLERANCES:
 FRACTIONAL ±
 ANGULAR: MACH ± BEND ±
 TWO PLACE DECIMAL ±
 THREE PLACE DECIMAL ±

| | |
|-----------|---------|
| NAME | DATE |
| MWS | 3/21/17 |
| ENG APPR. | |
| Q.A. | |

TITLE:

 COMMENTS:

PROPRIETARY AND CONFIDENTIAL
 THE INFORMATION CONTAINED IN THIS DRAWING IS THE SOLE PROPERTY OF AAP AUTOMATION. ANY REPRODUCTION IN PART OR AS A WHOLE WITHOUT THE WRITTEN PERMISSION OF AAP AUTOMATION IS PROHIBITED.

| | |
|-------------|----------------------|
| MATERIAL | FINISH |
| NEXT ASSY | USED ON |
| APPLICATION | DO NOT SCALE DRAWING |

| | | |
|------------|-------------------|--------------|
| SIZE | DWG. NO. | REV |
| B | CAP-Y24T-ISE40A-B | 00 |
| SCALE: 1:5 | WEIGHT: | SHEET 1 OF 1 |

4

3

2

1

B

B

A

A