

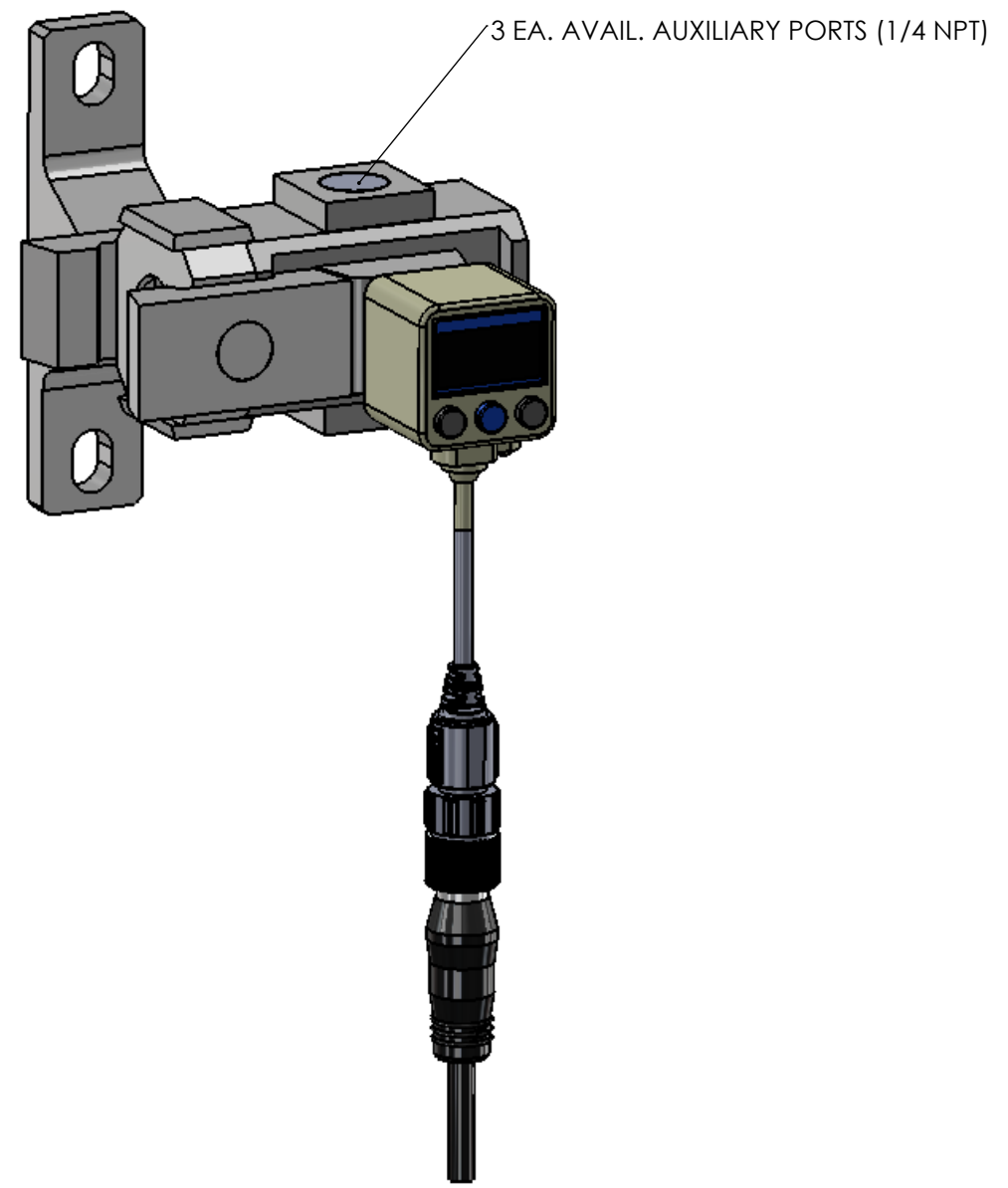
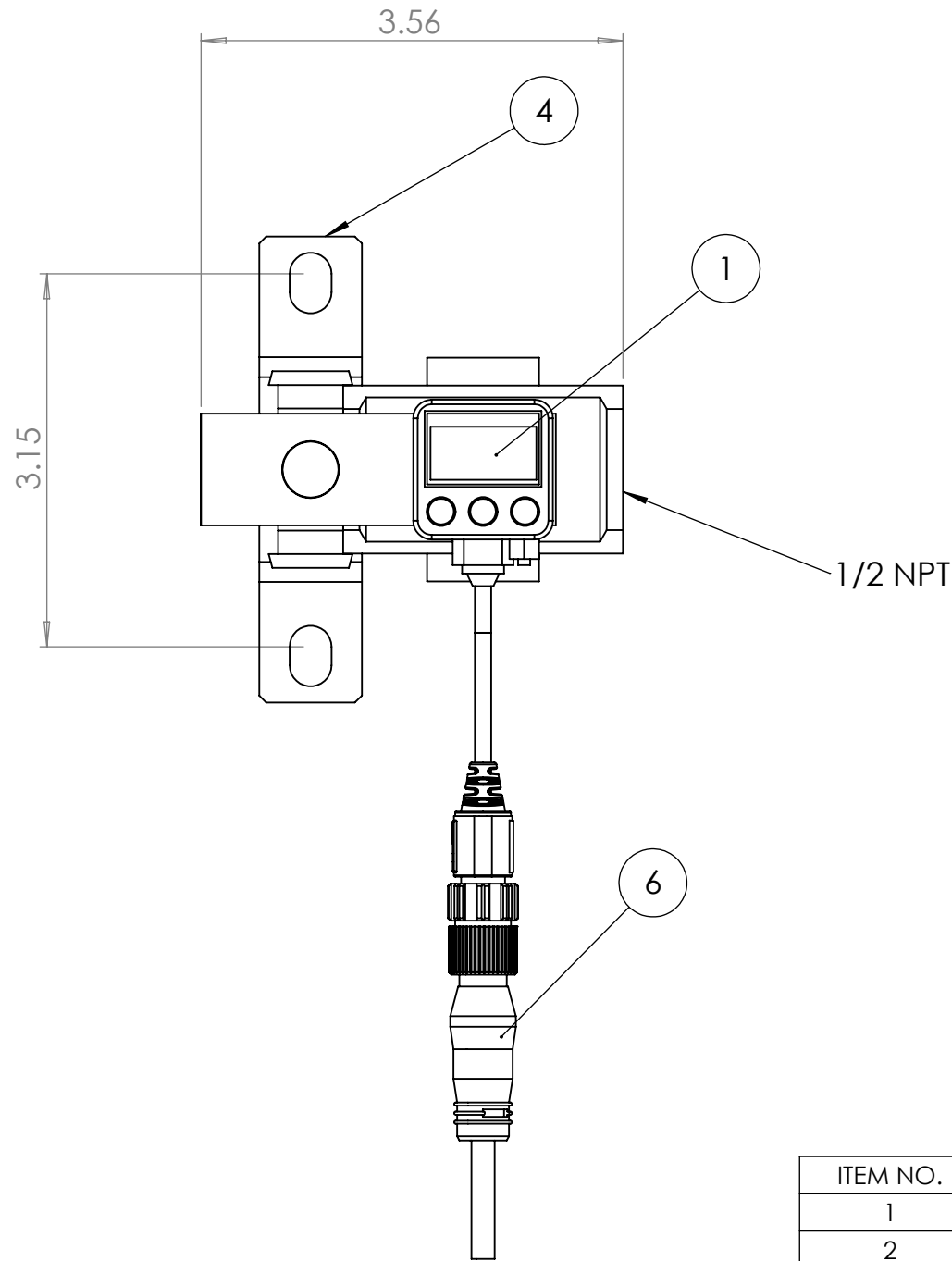
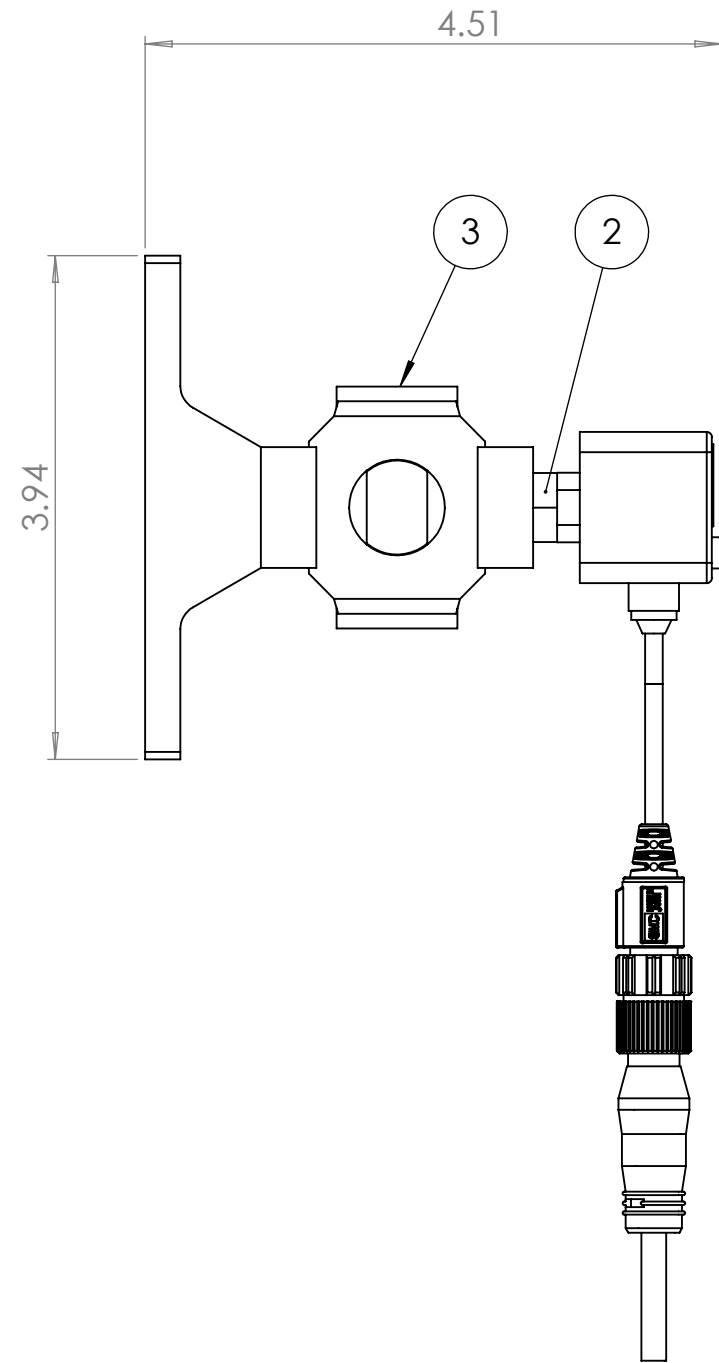
4

3

2

1

REVISIONS				
ZONE	REV.	DESCRIPTION	DATE	APPROVED



ITEM NO.	PART NUMBER	DESCRIPTION	QTY.
1	ISE40A-N01-Y-P-X531	SMC PRESSURE SWITCH	1
2	4CQN-ENP	CLIPPARD REDUCER FITTING	1
3	CAP-44N02	AAP CROSS SPACER	1
4	Y40T-A	SMC SPACER W/BACKET	1
5	9020-02	SMC FLUSH PLUG	3
6	MDC-4FP-5M-B	MENCOM 5m CABLE (BLACK)	1



UNLESS OTHERWISE SPECIFIED:  
 DIMENSIONS ARE IN INCHES  
 TOLERANCES:  
 FRACTIONAL ±  
 ANGULAR: MACH ± BEND ±  
 TWO PLACE DECIMAL ±  
 THREE PLACE DECIMAL ±

NAME	DATE
DRAWN MWS	3/21/17
ENG APPR.	
Q.A.	

TITLE:  
 COMMENTS:

**PROPRIETARY AND CONFIDENTIAL**  
 THE INFORMATION CONTAINED IN THIS DRAWING IS THE SOLE PROPERTY OF AAP AUTOMATION. ANY REPRODUCTION IN PART OR AS A WHOLE WITHOUT THE WRITTEN PERMISSION OF AAP AUTOMATION IS PROHIBITED.

MATERIAL	FINISH
NEXT ASSY	USED ON
APPLICATION	DO NOT SCALE DRAWING

SIZE	DWG. NO.	REV
<b>B</b>	CAP-Y44T-ISE40A-B	00
SCALE: 1:5	WEIGHT:	SHEET 1 OF 1

4

3

2

1

B

B

A

A