

4

3

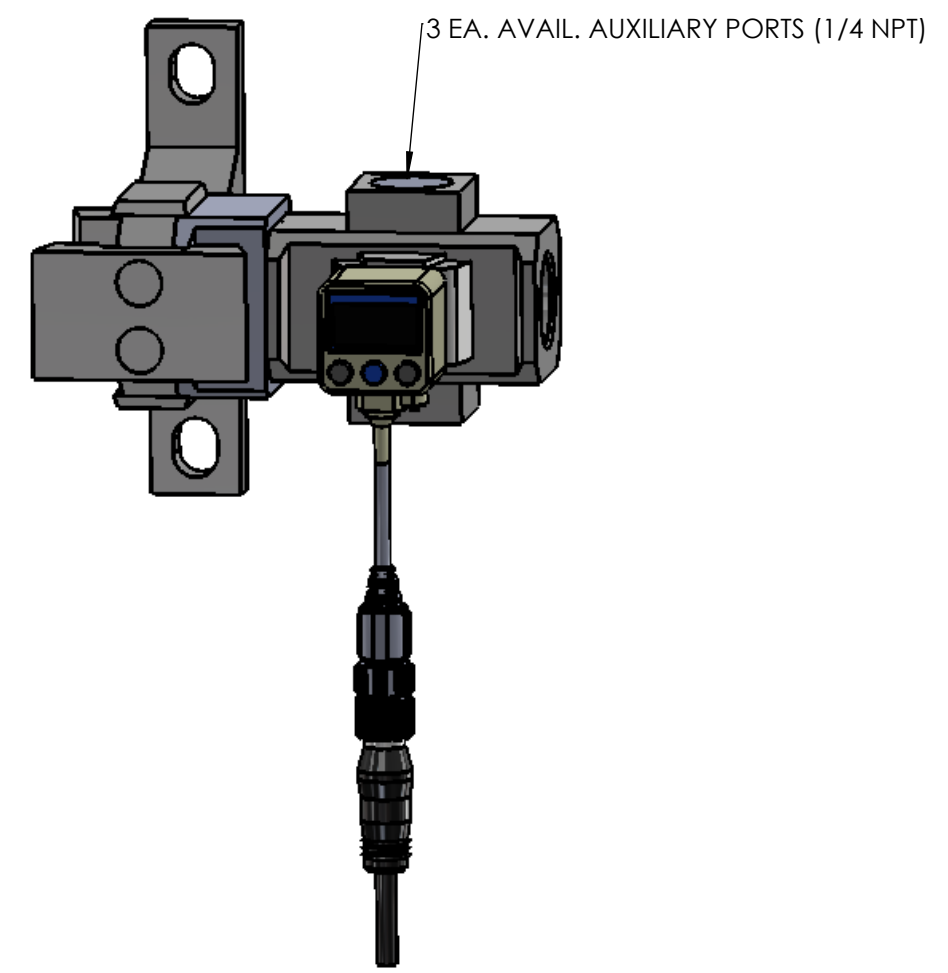
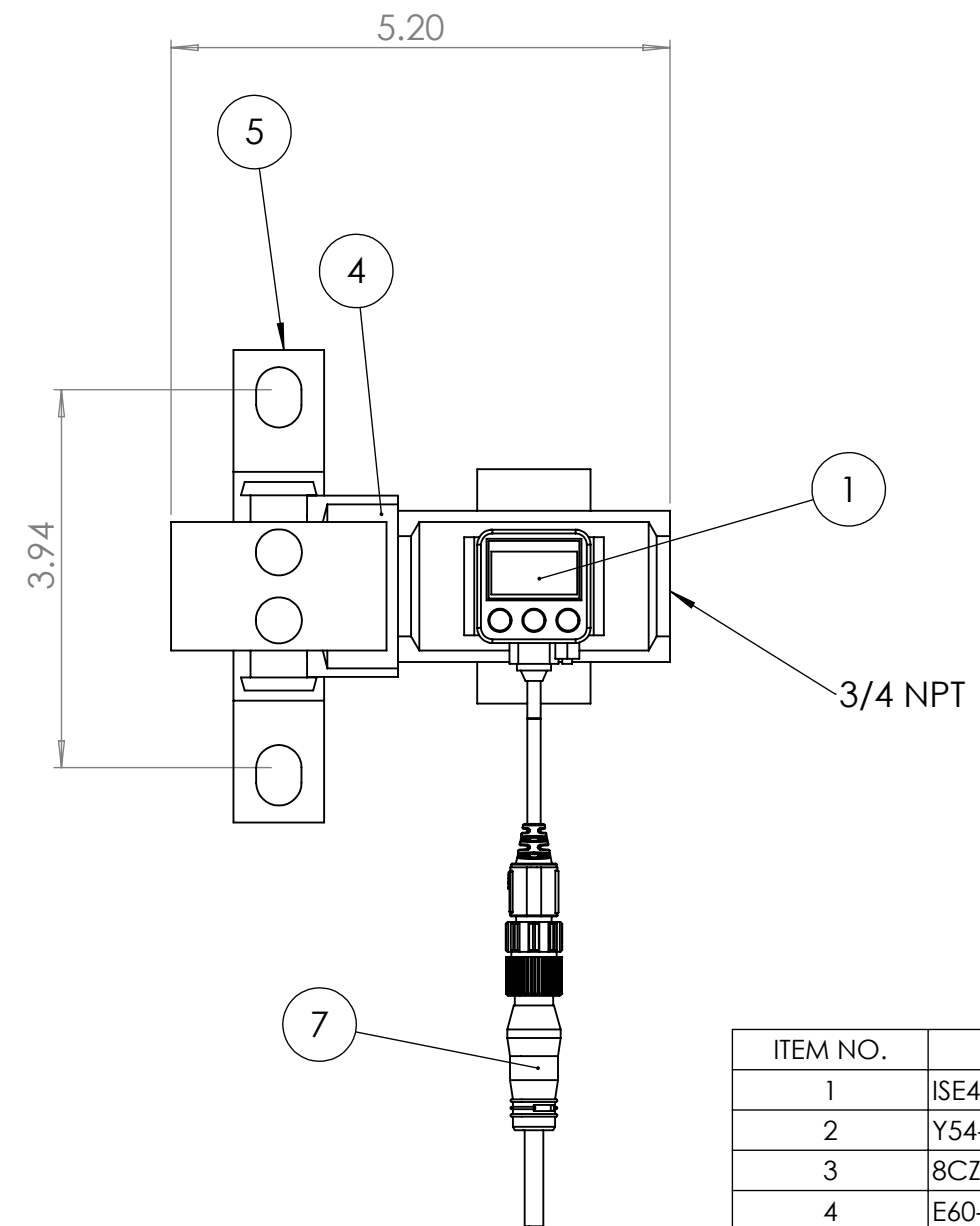
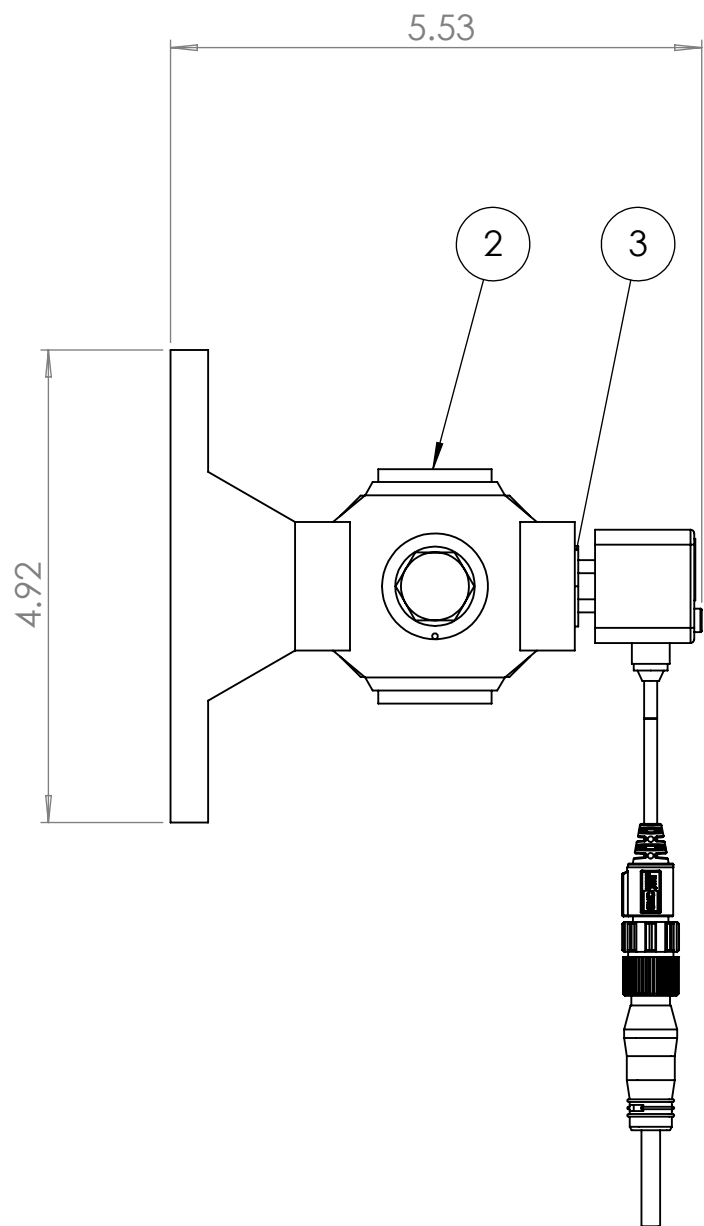
2

1

REVISIONS				
ZONE	REV.	DESCRIPTION	DATE	APPROVED

B

B



ITEM NO.	PART NUMBER	DESCRIPTION	QTY.
1	ISE40A-N01-Y-P-X531	SMC PRESSURE SWITCH	1
2	Y54-N04-A-X512	SMC CROSS SPACER	1
3	8CZY-ENP	CLIPPARD PIPE REDUCER	1
4	E60-N06-X129US	SMC ADAPTER	1
5	Y60T-A	SMC SPACER W/BRACKET	1
6	9020-04	SMC FLUSH PLUG	3
7	MDC-4FP-5M-B	MENCOM 5m CABLE (BLACK)	1

A

A



UNLESS OTHERWISE SPECIFIED:
 DIMENSIONS ARE IN INCHES
 TOLERANCES:
 FRACTIONAL ±
 ANGULAR: MACH ± BEND ±
 TWO PLACE DECIMAL ±
 THREE PLACE DECIMAL ±

NAME	DATE
MWS	3/21/17
ENG APPR.	
Q.A.	

TITLE:

 COMMENTS:

PROPRIETARY AND CONFIDENTIAL
 THE INFORMATION CONTAINED IN THIS DRAWING IS THE SOLE PROPERTY OF AAP AUTOMATION. ANY REPRODUCTION IN PART OR AS A WHOLE WITHOUT THE WRITTEN PERMISSION OF AAP AUTOMATION IS PROHIBITED.

NEXT ASSY	USED ON	FINISH
APPLICATION		DO NOT SCALE DRAWING

SIZE	DWG. NO.	REV
B	CAP-Y54T-ISE40A-B	00
SCALE: 1:5	WEIGHT:	SHEET 1 OF 1

4

3

2

1