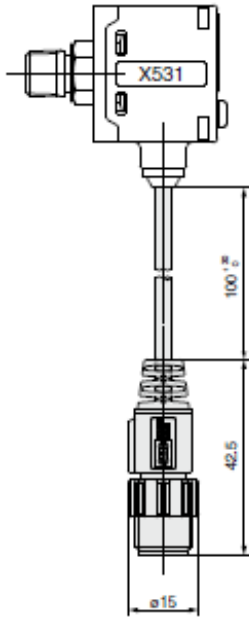
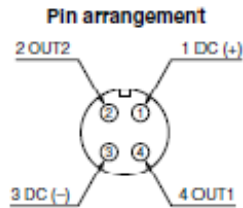


## Pressure Switches

### Pressure Switch SMC ISE40A



Pin #1 - Brown  
 Pin #2 - White  
 Pin #3 - Blue  
 Pin #4 - Black



### Pressure Switch Sick PAC50

#### Electrical connection

M12 round connector x 1, 4-pin

Pin #1 - Brown  
 Pin #2 - White  
 Pin #3 - Blue  
 Pin #4 - Black

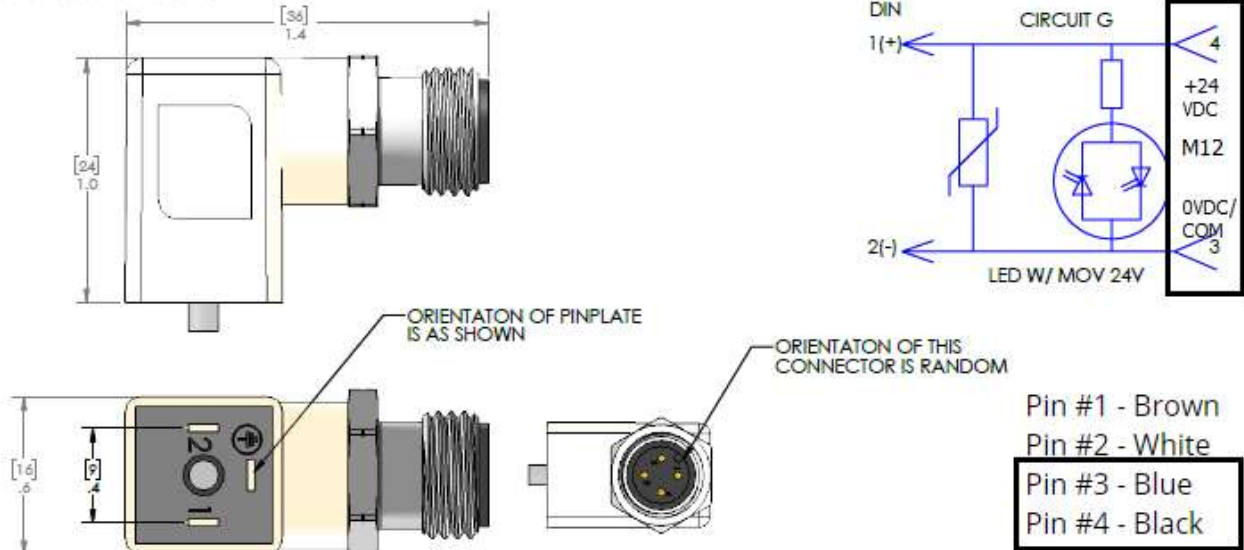


Output signals	Type code	Electrical connection	Pin assignment
2 x digital	PAC50-xxA	M12 x 1, 4 pins	L+ = 1, M = 3, Q1 = 4, Q2 = 2

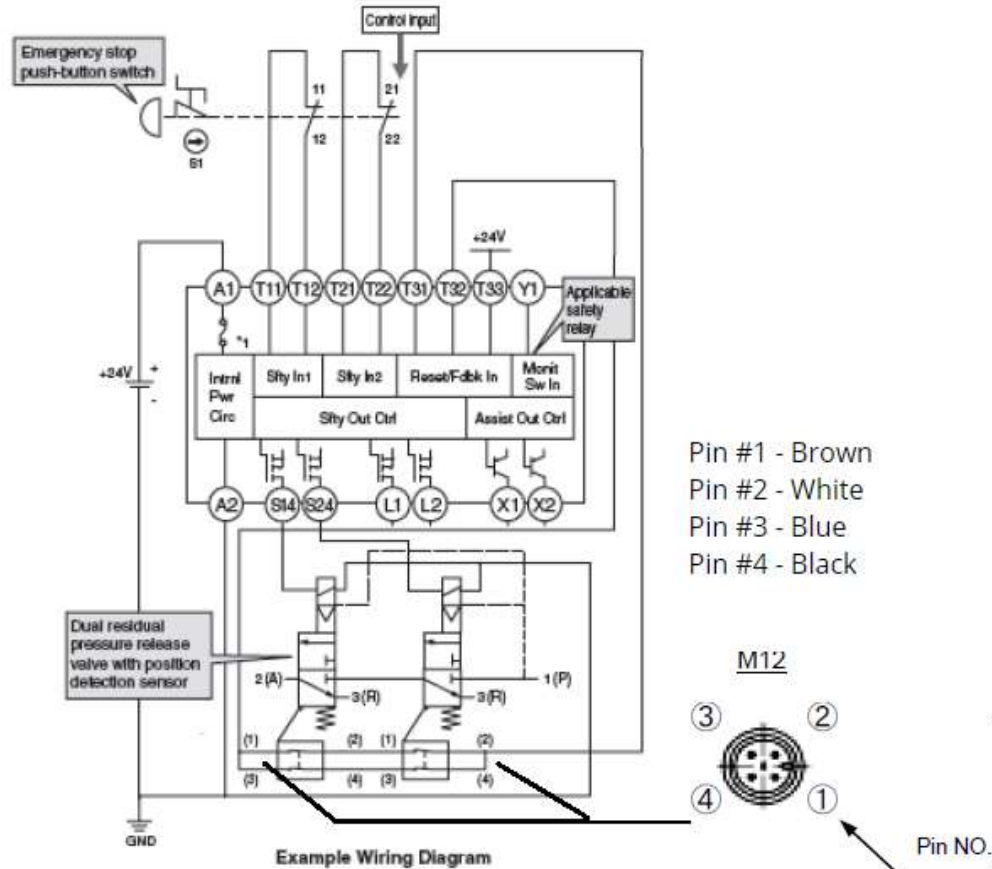
- ① L+: Positive supply connection
- ② M: Negative supply connection
- ③ Q<sub>1</sub>: Switching output 1
- ④ Q<sub>2</sub>: Switching output 2

## Safety Valves

### CAP-VP544 & CAP-VP744 Valve Bodies



### CAP544 & CAP-VP744 Safety Contacts (Positon Switches)





# Control Air Products Wiring Diagrams

## SoftStart Valves

### CAP-AV

